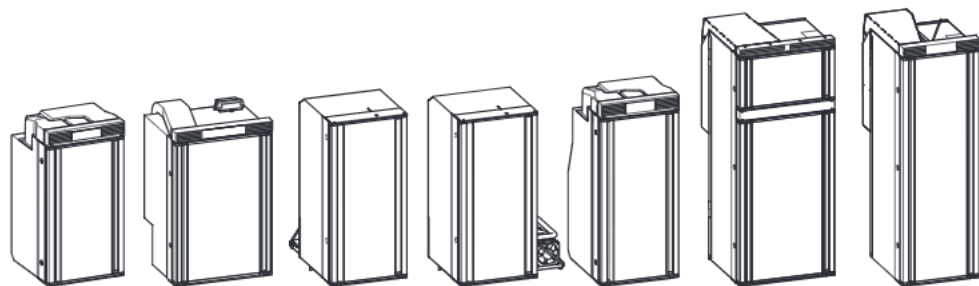


# ↗ DOMETIC

# REFRIGERATION

# 10-SERIES

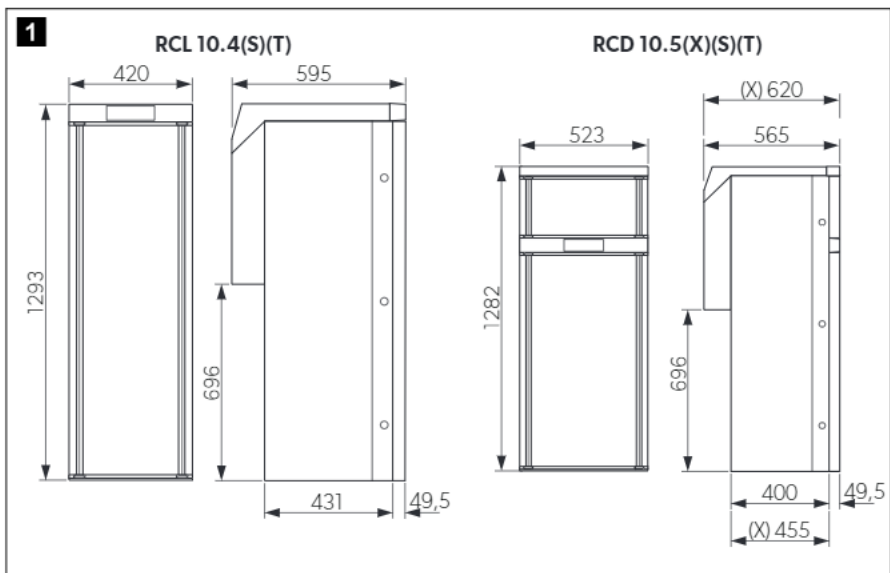
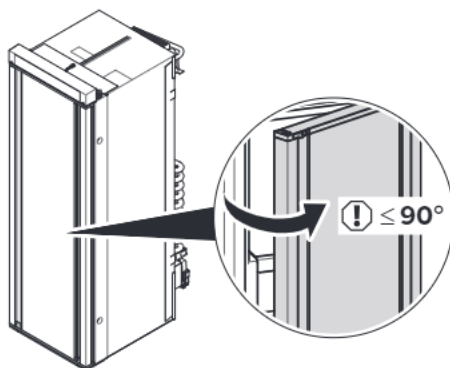


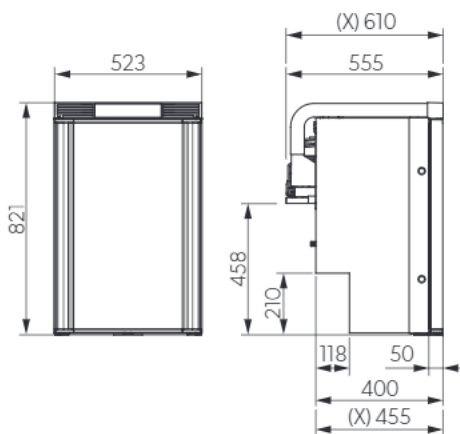
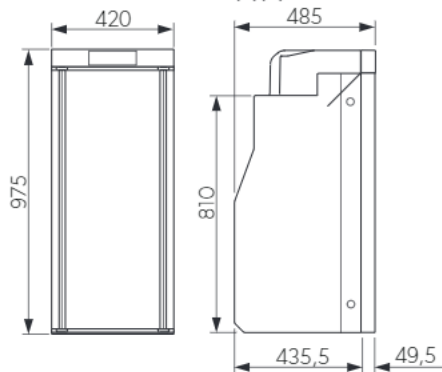
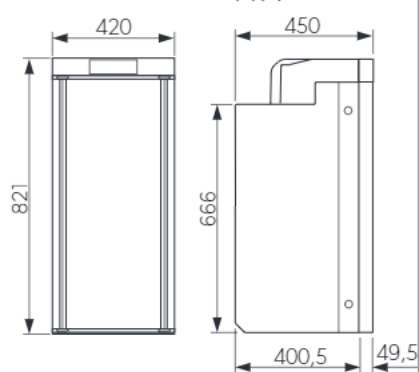
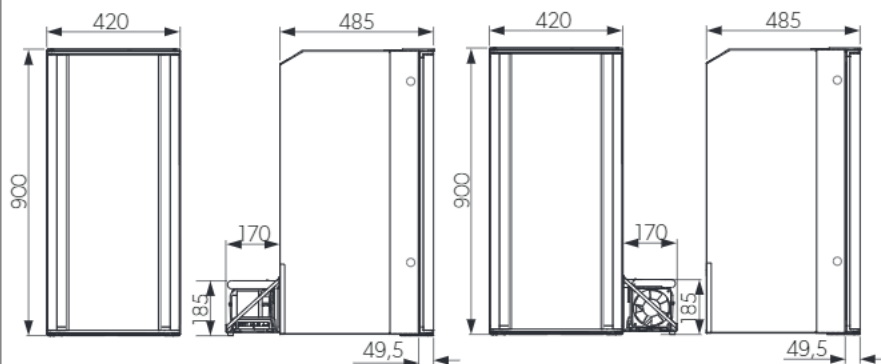
RC 10.4(S)(T).70, RC 10.4(S)(T).90, RC 10.4P.100 RCS 10.5(X)(S)(T), RCL 10.4(E)(S)(T),  
RCD 10.5(X)(S)(T)

<b>EN</b>	<b>Compressor refrigerator</b> Installation Manual.....	8
<b>DE</b>	<b>Kompressor-Kühlschrank</b> Montageanleitung.....	22
<b>FR</b>	<b>Réfrigérateur à compresseur</b> Instructions de montage.....	36
<b>ES</b>	<b>Nevera de compresor</b> Instrucciones de montaje.....	50
<b>PT</b>	<b>Frigorífico com compressor</b> Instruções de montagem.....	64
<b>IT</b>	<b>Frigorifero a compressore</b> Indicazioni di montaggio.....	78

© 2021 Dometic Group. The visual appearance of the contents of this manual is protected by copyright and design law. The underlying technical design and the products contained herein may be protected by design, patent or be patent pending. The trademarks mentioned in this manual belong to Dometic Sweden AB. All rights are reserved.

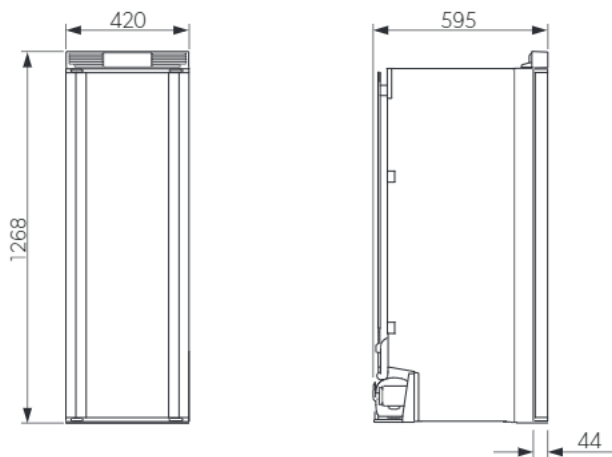
**NOTICE**



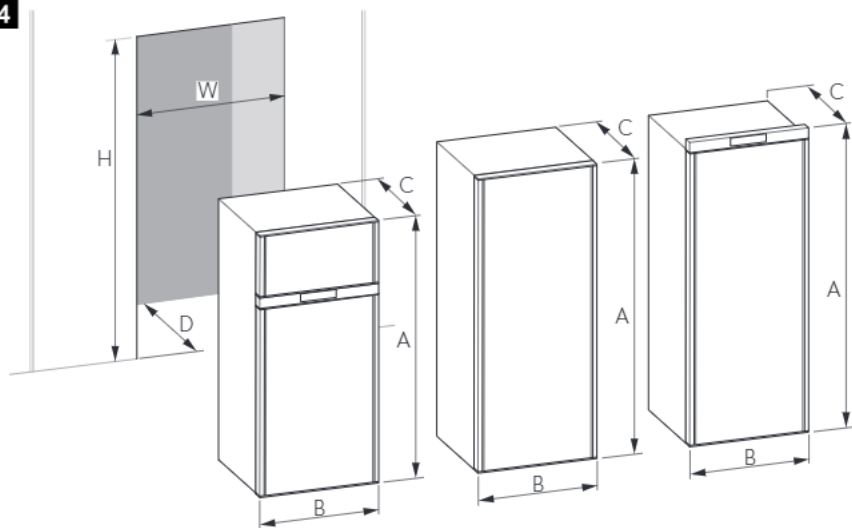
**2****RCS 10.5(X)(S)(T)****RC 10.4 90(S)(T)****RC 10.4 70(S)(T)****RC 10.4 P.100**

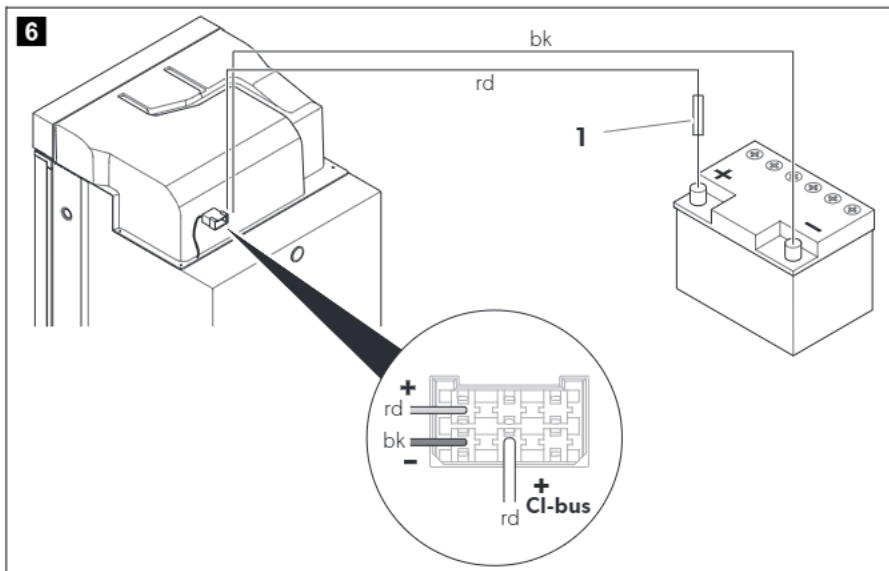
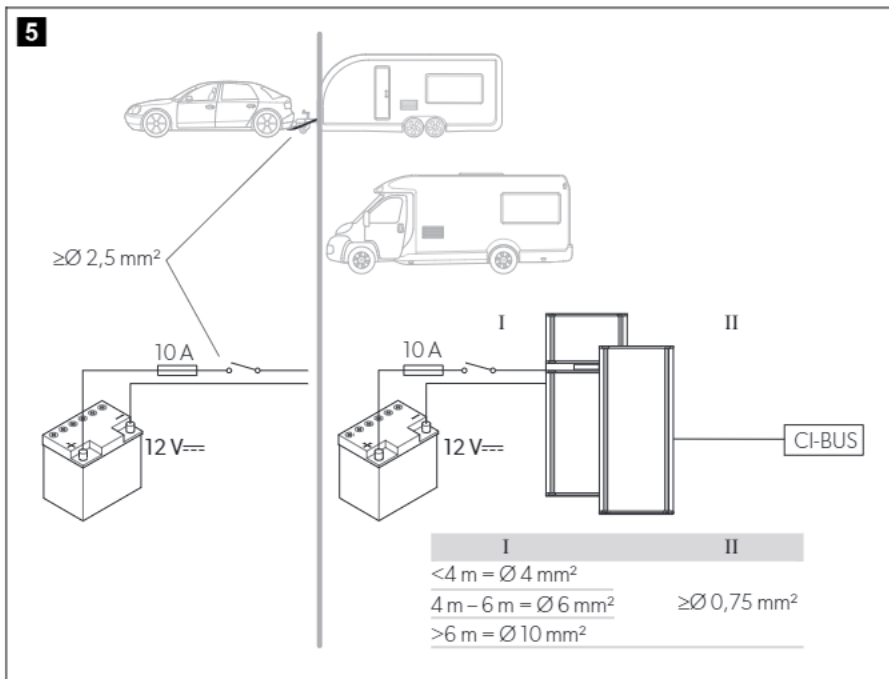
**3**

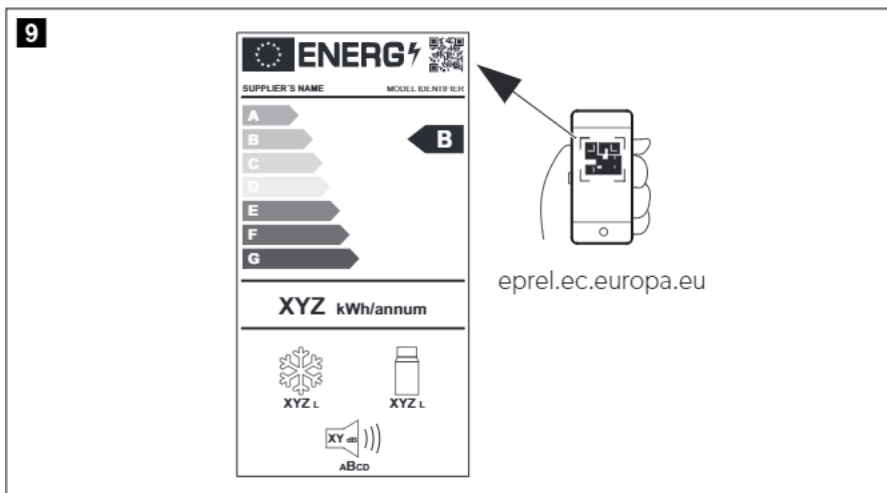
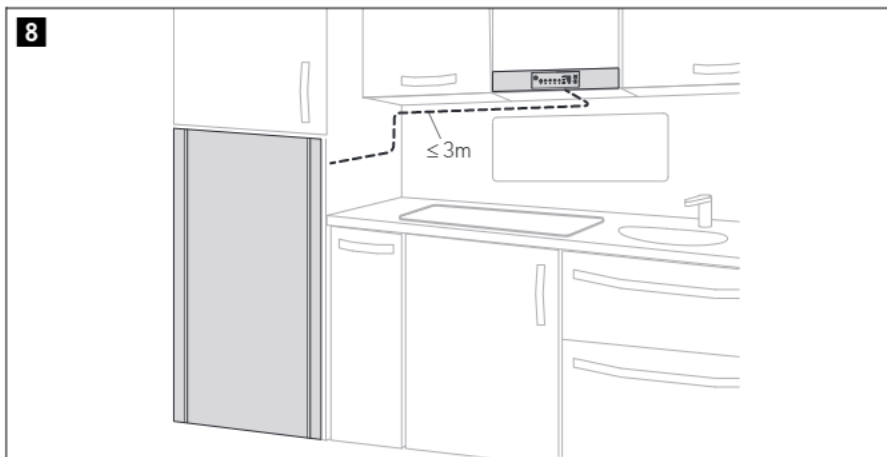
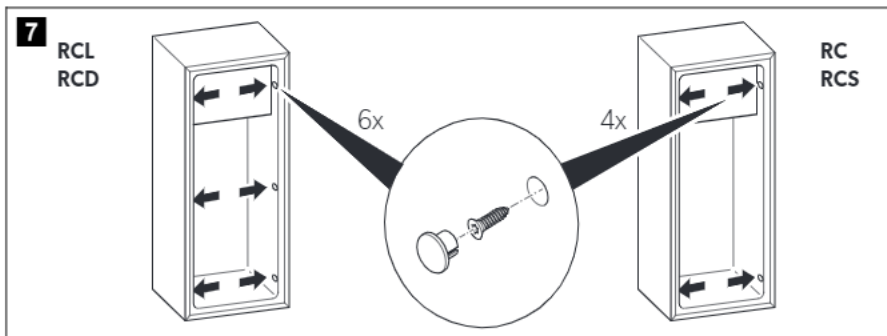
**RCL 10.4E(S)(T)**



**4**







Please read these instructions carefully and follow all instructions, guidelines, and warnings included in this product manual in order to ensure that you install, use, and maintain the product properly at all times. These instructions **MUST** stay with this product.

By using the product, you hereby confirm that you have read all instructions, guidelines, and warnings carefully and that you understand and agree to abide by the terms and conditions as set forth herein. You agree to use this product only for the intended purpose and application and in accordance with the instructions, guidelines, and warnings as set forth in this product manual as well as in accordance with all applicable laws and regulations. A failure to read and follow the instructions and warnings set forth herein may result in an injury to yourself and others, damage to your product or damage to other property in the vicinity. This product manual, including the instructions, guidelines, and warnings, and related documentation, may be subject to changes and updates. For up-to-date product information, please visit [dometic.com](http://dometic.com).

## Table of contents

1	Explanation of symbols . . . . .	8
2	Safety instructions . . . . .	9
3	Intended use . . . . .	11
4	Installing the refrigerator . . . . .	12
5	Technical data . . . . .	17

## 1 Explanation of symbols



### **WARNING!**

**Safety instruction:** Indicates a hazardous situation that, if not avoided, could result in death or serious injury.



### **CAUTION!**

**Safety instruction:** Indicates a hazardous situation that, if not avoided, could result in minor or moderate injury.



### **NOTICE!**

Indicates a situation that, if not avoided, can result in property damage.



### **NOTE**

Supplementary information for operating the product.



## 2 Safety instructions

### 2.1 General safety



**WARNING! Failure to obey these warnings could result in death or serious injury.**

#### **Electrocution hazard**

- Installation and removal of the refrigerator may only be carried out by qualified personnel.
- Do not operate the refrigerator if it is visibly damaged.
- This refrigerator may only be repaired by qualified personnel. Improper repairs can result in considerable danger or damage to the refrigerator.
- If the power cable for this refrigerator is damaged, it must be replaced by the manufacturer, customer service or a similarly qualified person in order to prevent safety hazards.
- When positioning the refrigerator, ensure the supply cord is not trapped or damaged.
- Do not locate multiple portable socket-outlets or portable power supplies at the rear of the refrigerator.

#### **Fire hazard**

- The refrigerant in the refrigerant circuit is highly flammable. In the event of any damage to the refrigerant circuit (smell of ammonia):
  - Switch off the refrigerator.
  - Avoid naked flames and sparks.
  - Air the room well.

#### **Explosion hazard**

- Do not spray aerosols in the vicinity of this refrigerator while it is in operation.
- Do not store any explosive substances, such as spray cans with propellants, in the refrigerator.

#### **Health hazard**

- This refrigerator can be used by children aged from 8 years and above and persons with reduced physical, sensory or mental capabilities or lack of experience and knowledge if they have been given supervision or instruction concerning use of the refrigerator in a safe way and understand the hazards involved.

- Children aged from 3 to 8 years are allowed to load and unload the refrigerator.
- Cleaning and user maintenance may not be carried out by unsupervised children.
- Children must be supervised to ensure that they do not play with the refrigerator.

**Risk of child entrapment**

- Make sure that the shelves are mounted and secured so that children cannot lock themselves in the refrigerator.
- Before disposing of your old refrigerator:
  - Dismantle the drawers.
  - Leave the shelves in the refrigerator so that children cannot climb inside.



**CAUTION! Failure to obey these cautions could result in minor or moderate injury.**

**Health hazard**

- To avoid a hazard due to instability of the refrigerator, it must be fixed in accordance with the installation instructions.
- Keep ventilation openings, in the refrigerator enclosure or in the built-in structure, clear of obstruction.
- Do not use mechanical devices or other means to accelerate the defrosting process, other than those recommended by the manufacturer.
- Do not open the refrigerant circuit under any circumstances.
- Do not use electrical devices inside the refrigerator unless they are recommended by the manufacturer for that purpose.

**Risk of injury**

- Do not use or store flammable materials in or near this refrigerator.
- Do not place articles on or against this refrigerator.
- Do not modify this refrigerator.

**NOTICE! Damage hazard**

- Check that the voltage specification on the data plate is the same as that of the power supply.
- Do not place the refrigerator near heat sources (heaters, direct sunlight, gas ovens, etc.).
- Keep the condensate drain clean at all times.

- Do not use a high-pressure cleaner near the ventilation grille when cleaning the vehicle.
- Attach the winter covers of the ventilation grille (accessories) when the vehicle is cleaned from the outside or not used for a prolonged period of time.
- The refrigerator may not be exposed to rain.

### 3 Intended use

The refrigerator is suitable for:

- Installation in caravans and motor homes
- Cooling, deep-freezing and storing food

The refrigerator is not suitable for:

- Storing medications
- Storing corrosive substances or substances that contain solvents
- Quick-freezing food

The refrigerator is intended for installation in a piece of cabinetry or an installation niche.

The two-star frozen compartment is suitable for storing pre-frozen food, storing or making ice cream and making ice cubes. It is not suitable for freezing previously unfrozen food.

This product is only suitable for the intended purpose and application in accordance with these instructions.

This manual provides information that is necessary for proper installation and/or operation of the product. Poor installation and/or improper operating or maintenance will result in unsatisfactory performance and a possible failure.

The manufacturer accepts no liability for any injury or damage to the product resulting from:

- Incorrect assembly or connection, including excess voltage
- Incorrect maintenance or use of spare parts other than original spare parts provided by the manufacturer
- Alterations to the product without express permission from the manufacturer
- Use for purposes other than those described in this manual

Dometic reserves the right to change product appearance and product specifications.

## 4 Installing the refrigerator

**CAUTION! Health hazard**

To avoid a hazard due to instability of the device, it must be fixed in accordance with the instructions.



You find the instructions for changing the door stop and the decorative plate online at:

[documents.dometic.com/?object\\_id=63258](https://documents.dometic.com/?object_id=63258)

The device is suitable for installation in:

- caravans
- motor homes

## 4.1 Preparing the installation



### CAUTION! Risk of injury

The device has sharp edges and gloves should be used during installation.



### NOTICE! Damage hazard

- The refrigerator may not be installed in the rear of mobile homes with the door pointing in the direction of travel.
- Leave the device in a vertical position for at least 3 hours before starting up for the first time.



### NOTE

- In campervans an undercounter unit can be installed with the door pointing in the direction of travel, as long as it is installed next to the sliding door and behind the co-driver's seat.
- If the compressor fridge replaces an absorption unit, you have to make sure, that the external ventilation grills are completely closed, otherwise there is the risk, that the compressor will not run at low ambient temperature (~below 0 °C).

When installing the refrigerator, note the following:

- Ensure that the floor is solid and level.  
Park the vehicle horizontally for this purpose.
- The refrigerator must be installed so that
  - it is easily accessible for service work
  - easy to uninstall and install
  - can be easily removed from the vehicle
- The refrigerator must be installed in a recess so that it stands secure when the vehicle is in motion. Note the dimensions in fig. **1**, page 3 to fig. **3**, page 5 for this purpose.
- Also note the following recess dimension (fig. **4**, page 5):

	<b>RC10.4(S)(T).70</b>	<b>RC10.4(S)(T).90</b>	<b>RC10.4P.100</b>
Refrigerator height <b>(A)</b>	821 mm	975 mm	900 mm
Refrigerator width <b>(B)</b>	420 mm	420 mm	420 mm (rear compressor) 590 mm (side compressor)
Refrigerator depth <b>(C)</b> (excludes control knob 5 mm)	450 mm	485 mm	655 mm (rear compressor) 485 mm (side compressor)
Recess height <b>(H)</b>	823 mm	977 mm	902 mm
Recess width <b>(W)</b>	425 mm	425 mm	425 mm (rear compressor) 595 mm (side compressor)
Recess depth <b>(D)</b>	452 mm	487 mm	657 mm (rear compressor) 487 mm (side compressor)

	<b>RCD10.5(S)(T)</b>	<b>RCD10.5X(S)(T)</b>
Refrigerator height <b>(A)</b>	1282 mm	1282 mm
Refrigerator width <b>(B)</b>	523 mm	523 mm
Refrigerator depth <b>(C)</b> (excludes control knob 5 mm)	565 mm	620 mm
Recess height <b>(H)</b>	1285 mm	1285 mm
Recess width <b>(W)</b>	528 mm	528 mm
Recess depth <b>(D)</b>	568 mm	623 mm

	RCL10.4(S)(T)	RCL10.4E(S)(T)
Refrigerator height (A)	1293 mm	1282 mm
Refrigerator width (B)	420 mm	523 mm
Refrigerator depth (C) (excludes control knob 5 mm)	595 mm	620 mm
Recess height (H)	1296 mm	1285 mm
Recess width (W)	425 mm	528 mm
Recess depth (D)	598 mm	623 mm

	RCS10.5(S)(T)	RCS10.5X(S)(T)
Refrigerator height (A)	821 mm	821 mm
Refrigerator width (B)	523 mm	523 mm
Refrigerator depth (C) (excludes control knob 5 mm)	555 mm	610 mm
Recess height (H)	824 mm	824 mm
Recess width (W)	528 mm	528 mm
Recess depth (D)	558 mm	613 mm

## 4.2 Installing the condensate drain



### NOTE

- Condensation can form inside the refrigerator due to frequent door opening, incorrectly stored food or food that is stored when it is too warm.
- Condensation must be drained with a constant slope.

Install the condensate drain as follows:

- ▶ Run the condensation water hose from the refrigerator through an opening in the floor which goes outside.

### 4.3 Connecting the power supply



#### NOTICE! Damage hazard

- The electrical installation and repairs may only be performed by a specialist in accordance with the applicable national regulations and standards.
- To avoid voltage loss and therefore a drop in performance, the cable should be kept as short as possible and should not be interrupted if possible. For this reason avoid additional switches, plugs or power strips.
- Before connecting check whether the operating voltage and the battery voltage correspond (see type plate).

1. Determine the required cross section of the cable in relation to the cable length according to fig. **5**, page 6.
2. Connect the cables to the AMP connector of the refrigerator (fig. **6**, page 6).
3. Connect the other ends of the cables to the 12 V $\overline{=}$  power supply:



#### NOTICE! Damage hazard

- Make sure the polarity is correct.
  - Fit the positive (+) cable with a 10 A fuse.
- as directly as possible
  - rd (red): with a fuse protection (10 A) fitted to the positive (+) pole
  - bk (black): to the negative (–) pole

### 4.4 Securing the refrigerator



#### NOTICE! Damage hazard

Only screw through the bushings provided, otherwise foamed components, such as cables, can be damaged.



#### NOTE

- Attach the side walls or the attached strips so that the screws are tight, even under increased loads (while driving).
- The refrigerator is designed to provide a regulated air flow. The manufacturer does not recommend to leave additional space between the refrigerator and the recess walls.



1. Move the refrigerator into its final location with the front flange sitting tight against the recess front.
2. Fasten the screws (fig. **7**, page 7) through the plastic bushings in the sides of the refrigerator, and further into the wall.
3. Put the caps onto the screw heads.

### **Installing the control panel of RC10.4P.100**

- Install the control panel as shown (fig. **8**, page 7).

## **5 Technical data**

For the current EU declaration of conformity for your device please refer to the respective product page on [dometic.com](http://dometic.com) or contact the manufacturer directly (see [dometic.com/dealer](http://dometic.com/dealer)).

Further product information can be accessed via QR code on the energy label on the product or via [eprel.ec.europa.eu](http://eprel.ec.europa.eu).


This device complies with UN ECE Regulation R10.05.2014.


Depending on the model, the refrigerator uses either R134a or R600a as refrigerant. Refer to the data plate for the refrigerant used.


For R134a models applies:


This product contains fluorinated greenhouse gases.

The cooling unit is hermetically sealed.

	RC10.4(S)(T).70		RC10.4(S)(T).90		RC10.4P.100	
Capacity						
Gross capacity:	62 l		86 l		94 l	
Refrigerator compartment:	54.5 l		75.5 l		81 l	
Frozen compartment:	7.5 l		7.5 l		9 l	
Total net capacity:	62 l		83 l		90 l	
Excluding frozen compartment						
Gross capacity:	69 l		90 l		98 l	
Net capacity:	64 l		85 l		93 l	
Connection voltage:	12 V <sup>===</sup>		12 V <sup>===</sup>		12 V <sup>===</sup>	
Average power input:	42 W		45 W		48 W	
Energy consumption	0.45 kWh/24 h		0.45 kWh/24 h		0.46 kWh/24 h	
PERFORMANCE mode:	37.5 Ah/24 h		37.5 Ah/24 h		38 Ah/24 h	
Climate class:	T		T		T	
Refrigerant:	R134a	R600a	R134a	R600a	R134a	R600a
Refrigerant quantity:	40 g	15 g	43 g	17 g	47 g	17 g
CO2 equivalent:	0.057 t	0.045 kg	0.061 t	0.051 kg	0.067 t	0.051 kg
Global warming potential (GWP):	1430	3	1430	3	1430	3
Noise emission (EN60704):						
PERFORMANCE mode:	42 dB(A)		42 dB(A)		42 dB(A)	
QUIET mode:	39 dB(A)		39 dB(A)		39 dB(A)	
Dimensions H x W x D (in mm):	821 x 420 x 450		975 x 420 x 485		902 x 420 x 655 (rear compressor) 902 x 590 x 485 (side compressor)	
Weight:	19.5 kg		21.4 kg		21.0 kg	
Inspection/certification:						

	<b>RCD 10.5(S)(T)</b>	<b>RCD 10.5X(S)(T)</b>
Capacity		
Gross capacity:	153 l	177 l
Refrigerator compartment:	118 l	142 l
Frozen compartment:	29 l	35 l
Total net capacity:	147 l	171 l
Excluding frozen compartment		
Gross capacity:	-	-
Net capacity:	-	-
Connection voltage:	12 V <sup>===</sup>	12 V <sup>===</sup>
Average power input:	54 W	54 W
Energy consumption	0.70 kWh/24 h	0.72 kWh/24 h
PERFORMANCE mode:	58 Ah/24 h	60 Ah/24 h
Climate class:	ST	ST
Refrigerant:	R134a	R134a
Refrigerant quantity:	44 g	44 g
CO <sub>2</sub> equivalent:	0.063 t	0.063 t
Global warming potential (GWP):	1430	1430
Noise emission (EN60704):		
PERFORMANCE mode:	42 dB(A)	42 dB(A)
QUIET mode:	39 dB(A)	39 dB(A)
Dimensions H x W x D (in mm):	1282 x 523 x 565	1282 x 523 x 620
Weight:	36.5 kg	39.5 kg
Inspection/certification:		

	<b>RCL10.4(S)(T)</b>	<b>RCL10.4E(S)(T)</b>
Capacity		
Gross capacity:	133 l	154 l
Refrigerator compartment:	116 l	131 l
Frozen compartment:	12 l	18 l
Total net capacity:	128 l	149 l
Excluding frozen compartment		
Gross capacity:	139 l	157 l
Net capacity:	134 l	152 l
Connection voltage:	12 V <sup>===</sup>	12 V <sup>===</sup>
Average power input:	54 W	57 W
Energy consumption	0.66 kWh/24 h	0.54 kWh/24 h
PERFORMANCE mode:	55 Ah/24 h	45 Ah/24 h
Climate class:	ST	ST
Refrigerant:	R134a	R600a
Refrigerant quantity:	40 g	29 g
CO <sub>2</sub> equivalent:	0.057 t	0.087 kg
Global warming potential (GWP):	1430	3
Noise emission (EN60704):		
PERFORMANCE mode:	42 dB(A)	42 dB(A)
QUIET mode:	39 dB(A)	39 dB(A)
Dimensions H x W x D (in mm):	1293 x 420 x 595	1293 x 420 x 595
Weight:	32 kg	31 kg
Inspection/certification:		

	<b>RCS10.5(S)(T)</b>	<b>RCS10.5X(S)(T)</b>
Capacity		
Gross capacity:	78 l	92 l
Refrigerator compartment:	69.1 l	80.3 l
Frozen compartment:	9.2 l	12.1 l
Total net capacity:	78 l	92 l
Excluding frozen compartment		
Gross capacity:	83 l	98 l
Net capacity:	83 l	98 l
Connection voltage:	12 V	12 V
Average power input:	5.9 A	5.5 A
Energy consumption	0.42 kWh/24 h	0.43 kWh/24 h
PERFORMANCE mode:	35 Ah/24 h	35.5 Ah/24 h
Climate class:	N, ST	N, ST
Refrigerant:	R600a	R600a
Refrigerant quantity:	24 g	23 g
CO <sub>2</sub> equivalent:	0.072 kg	0.069 kg
Global warming potential (GWP):	3	3
Noise emission (EN60704):		
With air channel:		
PERFORMANCE mode:	44 dB(A)	44 dB(A)
QUIET mode:	39 dB(A)	39 dB(A)
Without air channel:		
PERFORMANCE mode:	42 dB(A)	42 dB(A)
QUIET mode:	38 dB(A)	38 dB(A)
Dimensions H x W x D (in mm):	821 x 523 x 555	821 x 523 x 610
Weight:	24.5 kg	25 kg
Inspection/certification:		

Lesen und befolgen Sie bitte alle Anweisungen, Richtlinien und Warnhinweise in diesem Produkthandbuch sorgfältig, um sicherzustellen, dass Sie das Produkt ordnungsgemäß installieren und stets ordnungsgemäß betreiben und warten. Diese Anleitung MUSS bei dem Produkt verbleiben.

Durch die Verwendung des Produktes bestätigen Sie hiermit, dass Sie alle Anweisungen, Richtlinien und Warnhinweise sorgfältig gelesen haben und dass Sie die hierin dargelegten Bestimmungen verstanden haben und ihnen zustimmen. Sie erklären sich damit einverstanden, dieses Produkt nur für den angegebenen Verwendungszweck und gemäß den Anweisungen, Richtlinien und Warnhinweisen dieses Produkthandbuchs sowie gemäß allen geltenden Gesetzen und Vorschriften zu verwenden. Eine Nichtbeachtung der hierin enthaltenen Anweisungen und Warnhinweise kann zu einer Verletzung Ihrer selbst und anderer Personen, zu Schäden an Ihrem Produkt oder zu Schäden an anderem Eigentum in der Umgebung führen. Dieses Produkthandbuch, einschließlich der Anweisungen, Richtlinien und Warnhinweise, sowie die zugehörige Dokumentation können Änderungen und Aktualisierungen unterliegen. Aktuelle Produktinformationen finden Sie unter [dometic.com](http://dometic.com).

## Inhaltsverzeichnis

1	Erläuterung der Symbole .....	22
2	Sicherheitshinweise .....	23
3	Bestimmungsgemäßer Gebrauch .....	25
4	Kühlschrank einbauen .....	26
5	Technische Daten .....	31

## 1 Erläuterung der Symbole



### WARNUNG!

**Sicherheitshinweis:** Kennzeichnet eine Gefahrensituation, die zum Tod oder schwerer Verletzung führen könnte, wenn die jeweiligen Anweisungen nicht befolgt werden.



### VORSICHT!

**Sicherheitshinweis:** Kennzeichnet eine Gefahrensituation, die zu geringer oder mittelschwerer Verletzung führen könnte, wenn die jeweiligen Anweisungen nicht befolgt werden.



### ACHTUNG!

Kennzeichnet eine Situation, die zu Sachschäden führen kann, wenn die jeweiligen Anweisungen nicht befolgt werden.



### HINWEIS

Ergänzende Informationen zur Bedienung des Produktes.

## 2 Sicherheitshinweise

### 2.1 Grundlegende Sicherheit



**WARNUNG! Nichtbeachtung dieser Warnungen kann zum Tod oder schwerer Verletzung führen.**

#### **Gefahr durch Stromschlag**

- Montage und Demontage des Kühlschranks dürfen nur durch qualifiziertes Fachpersonal erfolgen.
- Wenn der Kühlschrank sichtbare Beschädigungen aufweist, dürfen Sie ihn nicht in Betrieb nehmen.
- Reparaturen an diesem Kühlschrank dürfen nur von Fachkräften durchgeführt werden. Unsachgemäße Reparaturen können zu erheblichen Gefahren oder Schäden am Kühlschrank führen.
- Wenn das Anschlusskabel dieses Kühlschranks beschädigt wird, muss es durch den Hersteller, seinen Kundendienst oder eine ähnlich qualifizierte Person ersetzt werden, um Gefährdungen zu vermeiden.
- Achten Sie beim Aufstellen des Kühlschranks darauf, dass das Stromversorgungskabel nicht eingeklemmt oder beschädigt wird.
- Platzieren Sie keine Steckdosenleisten oder tragbare Stromversorgungen hinter dem Kühlschrank.

#### **Brandgefahr**

- Das Kältemittel im Kühlkreislauf ist leicht entflammbar.  
Bei einer Beschädigung des Kühlkreislaufs (Ammoniakgeruch):
  - Schalten Sie den Kühlschrank aus.
  - Vermeiden Sie offenes Feuer und Zündfunken.
  - Lüften Sie den Raum gut.

#### **Explosionsgefahr**

- Sprühen Sie während des Betriebs keine Aerosole in der Nähe des Kühlschranks.
- Lagern Sie keine explosionsfähigen Stoffe wie z. B. Sprühdosen mit brennbarem Treibgas im Kühlschrank.

**Gesundheitsgefahr**

- Dieser Kühlschrank kann von Kindern ab 8 Jahren und von Personen mit verringerten physischen, sensorischen oder mentalen Fähigkeiten oder Mangel an Erfahrung und/oder Wissen verwendet werden, wenn diese Personen beaufsichtigt werden oder im sicheren Gebrauch des Kühlschranks unterwiesen wurden und die daraus resultierenden Gefahren verstanden haben.
- Kinder von 3 bis 8 Jahren dürfen den Kühlschrank be- und entladen.
- Reinigung und Pflege dürfen nicht von Kindern ohne Beaufsichtigung durchgeführt werden.
- Kinder sollten beaufsichtigt werden, um sicherzustellen, dass sie nicht mit dem Kühlschrank spielen.

**Gefahr des Einschließens von Kindern**

- Stellen Sie sicher, dass die Tragroste so montiert und gesichert sind, dass sich Kinder nicht selbst im Kühlschrank einschließen können.
- Vor der Entsorgung Ihres alten Kühlschranks:
  - Bauen Sie die Schublade aus.
  - Belassen Sie die Ablagen im Kühlschrank, damit Kinder nicht hineinsteigen können.

**VORSICHT! Nichtbeachtung dieser Hinweise kann zu leichten bis mittelschweren Verletzungen führen.****Gesundheitsgefahr**

- Um Gefahren aufgrund eines instabilen Stands des Kühlschranks zu vermeiden, muss sie entsprechend den Anweisungen fixiert werden.
- Halten Sie die Lüftungsöffnungen frei – sowohl im Gehäuse als auch im Einbauteil des Kühlschranks.
- Verwenden Sie keine mechanischen oder anderen Mittel, um das Abtauen zu beschleunigen – es sei denn, diese werden vom Hersteller empfohlen.
- Öffnen Sie auf keinen Fall den Kühlkreislauf.
- Benutzen Sie keine Elektrogeräte innerhalb des Kühlschranks, außer wenn diese Elektrogeräte vom Hersteller dafür empfohlen werden.

**Verletzungsgefahr**

- Verwenden und lagern Sie keine brennbaren Materialien im Kühlschrank oder in der Nähe des Kühlschranks.
- Stellen Sie keine Gegenstände auf den Kühlschrank und lehnen Sie keine Gegenstände an den Kühlschrank an.



- Nehmen Sie keine Änderungen am Kühlschrank vor.



### **ACHTUNG! Beschädigungsgefahr**

- Prüfen Sie, ob die Spannungsangabe auf dem Typenschild mit der vorhandenen Netzspannung übereinstimmt.
- Stellen Sie den Kühlschrank nicht in der Nähe von offenen Flammen oder anderen Wärmequellen (Heizung, starke Sonneneinstrahlung, Gasöfen usw.) ab.
- Halten Sie den Kondensatablauf stets sauber.
- Benutzen Sie bei der Fahrzeugreinigung im Bereich der Lüftungsgitter keinen Wasser-Hochdruckreiniger.
- Montieren Sie die Winterabdeckungen des Lüftungsgitters (Zubehör), wenn das Fahrzeug von außen gereinigt oder für längere Zeit außer Betrieb genommen wird.
- Der Kühlschrank darf keinem Regen ausgesetzt werden.

## **3 Bestimmungsgemäßer Gebrauch**

Der Kühlschrank ist für folgende Verwendungszwecke geeignet:

- Einbau in Wohnwagen und Wohnmobile
- Kühlung, Tiefkühlung und Lagerung von Lebensmitteln

Der Kühlschrank ist nicht für folgende Verwendungszwecke geeignet:

- Lagerung von Medikamenten
- Lagerung von ätzenden oder lösungsmittelhaltigen Stoffen
- Einfrieren von Lebensmitteln

Der Kühlschrank ist für den Einbau in einen Schrank oder eine Einbaunische vorgesehen.

Das Zwei-Sterne-Tiefkühlfach eignet sich für die Aufbewahrung von tiefgefrorenen Lebensmitteln, die Lagerung oder Herstellung von Eiscreme und die Herstellung von Eiswürfeln. Es ist nicht geeignet zum Einfrieren von Lebensmitteln.

Dieses Produkt ist nur für den angegebenen Verwendungszweck und die Anwendung gemäß dieser Anleitung geeignet.

Dieses Handbuch enthält Informationen, die für die ordnungsgemäße Installation und/oder den ordnungsgemäßen Betrieb des Produkts erforderlich sind. Installationsfehler und/oder ein nicht ordnungsgemäßer Betrieb oder eine nicht ordnungsgemäße Wartung haben eine unzureichende Leistung und u. U. einen Ausfall des Geräts zur Folge.

Der Hersteller übernimmt keine Haftung für Verletzungen oder Schäden am Produkt, die durch Folgendes entstehen:

- Unsachgemäße Montage oder falscher Anschluss, einschließlich Überspannung
- Unsachgemäße Wartung oder Verwendung von anderen als den vom Hersteller gelieferten Original-Ersatzteilen
- Veränderungen am Produkt ohne ausdrückliche Genehmigung des Herstellers
- Verwendung für andere als die in der Anleitung beschriebenen Zwecke

Dometic behält sich das Recht vor, das Erscheinungsbild des Produkts und dessen technische Daten zu ändern.

## 4 Kühlschrank einbauen



### **VORSICHT! Gesundheitsgefahr**

Um eine Gefährdung durch Instabilität des Gerätes zu vermeiden, muss dieses gemäß den Anweisungen befestigt werden.



Die Anleitung zum Wechseln des Türanschlags und der Dekorplatte finden Sie online unter:

[documents.dometic.com/?object\\_id=63258](https://documents.dometic.com/?object_id=63258)

Das Gerät ist geeignet für den Einbau in:

- Wohnwagen
- Wohnmobilen

## 4.1 Einbau vorbereiten



### VORSICHT! Verletzungsgefahr

Das Gerät hat scharfe Kanten und beim Einbau sollten Handschuhe getragen werden.



### ACHTUNG! Beschädigungsgefahr

- Der Kühlschrank darf nicht im Heck von Wohnmobilen installiert werden, wenn die Tür in Fahrtrichtung zeigt.
- Lassen Sie das Gerät vor der ersten Inbetriebnahme mindestens 3 Stunden lang in vertikaler Position stehen.



### HINWEIS

- In Wohnmobilen kann eine Unterthekeneinheit mit der Tür in Fahrtrichtung installiert werden, sofern sie neben der Schiebetür und hinter dem Beifahrersitz angebracht ist.
- Wenn der Kompressorkühlschrank eine Absorptionseinheit ersetzt, müssen Sie sicherstellen, dass die externen Lüftungsgitter vollständig geschlossen sind, da sonst die Gefahr besteht, dass der Kompressor bei niedriger Umgebungstemperatur (~ unter 0° C) nicht läuft.

Beachten Sie bei der Montage des Kühlschranks folgende Hinweise:

- Vergewissern Sie sich, dass der Boden fest und eben ist. Stellen Sie das Fahrzeug zu diesem Zweck waagrecht ab.
- Der Kühlschrank muss so installiert werden, dass
  - er für Wartungsarbeiten leicht zugänglich ist
  - er leicht zu deinstallieren und zu installieren ist
  - er leicht aus dem Fahrzeug entfernt werden kann
- Der Kühlschrank muss in eine Nische eingebaut werden, damit er bei Bewegung des Fahrzeugs fest steht. Beachten Sie die Abmessungen in Abb. **1**, Seite 3 bis Abb. **3**, Seite 5 zu diesem Zweck.
- Beachten Sie auch die folgende Aussparungsdimension (Abb. **4**, Seite 5):

	RC10.4(S)(T).70	RC10.4(S)(T).90	RC10.4P.100
Höhe des Kühlschranks <b>(A)</b>	821 mm	975 mm	900 mm
Breite des Kühlschranks <b>(B)</b>	420 mm	420 mm	420 mm (hinterer Kompressor) 590 mm (Seitenkompressor)
Tiefe des Kühlschranks <b>(C)</b> (ohne Steuerknopf (5 mm))	450 mm	485 mm	655 mm (hinterer Kompressor) 485 mm (Seitenkompressor)
Höhe der Aussparung <b>(H)</b>	823 mm	977 mm	902 mm
Breite der Aussparung <b>(W)</b>	425 mm	425 mm	425 mm (hinterer Kompressor) 595 mm (Seitenkompressor)
Aussparungstiefe <b>(D)</b>	452 mm	487 mm	657 mm (hinterer Kompressor) 487 mm (Seitenkompressor)

	RCD10.5(S)(T)	RCD10.5X(S)(T)
Höhe des Kühlschranks <b>(A)</b>	1282 mm	1282 mm
Breite des Kühlschranks <b>(B)</b>	523 mm	523 mm
Tiefe des Kühlschranks <b>(C)</b> (ohne Steuerknopf (5 mm))	565 mm	620 mm
Höhe der Aussparung <b>(H)</b>	1285 mm	1285 mm

	<b>RCD10.5(S)(T)</b>	<b>RCD10.5X(S)(T)</b>
Breite der Aussparung <b>(W)</b>	528 mm	528 mm
Aussparungstiefe <b>(D)</b>	568 mm	623 mm
	<b>RCL10.4(S)(T)</b>	<b>RCL10.4E(S)(T)</b>
Höhe des Kühlschranks <b>(A)</b>	1293 mm	1282 mm
Breite des Kühlschranks <b>(B)</b>	420 mm	523 mm
Tiefe des Kühlschranks <b>(C)</b> (ohne Steuerknopf (5 mm))	595 mm	620 mm
Höhe der Aussparung <b>(H)</b>	1296 mm	1285 mm
Breite der Aussparung <b>(W)</b>	425 mm	528 mm
Aussparungstiefe <b>(D)</b>	598 mm	623 mm
	<b>RCS10.5(S)(T)</b>	<b>RCS10.5X(S)(T)</b>
Höhe des Kühlschranks <b>(A)</b>	821 mm	821 mm
Breite des Kühlschranks <b>(B)</b>	523 mm	523 mm
Tiefe des Kühlschranks <b>(C)</b> (ohne Steuerknopf (5 mm))	555 mm	610 mm
Höhe der Aussparung <b>(H)</b>	824 mm	824 mm
Breite der Aussparung <b>(W)</b>	528 mm	528 mm
Aussparungstiefe <b>(D)</b>	558 mm	613 mm

## 4.2 Kondensatablauf installieren



### HINWEIS

- Durch häufiges Türöffnen, falsch gelagerte Lebensmittel oder zu warm gelagerte Lebensmittel kann sich im Inneren des Kühlschranks Kondensat bilden.
- Das Kondensat muss mit konstantem Gefälle abgelassen werden.

Installieren Sie den Kondensatablauf wie folgt:

- ▶ Führen Sie den Kondenswasserschlauch des Kühlschranks durch eine Öffnung im Boden, die nach außen führt.

## 4.3 Stromversorgung anschließen



### ACHTUNG! Beschädigungsgefahr

- Die elektrische Installation sowie Reparaturen dürfen nur von einer Fachkraft gemäß den geltenden nationalen Vorschriften und Normen ausgeführt werden.
- Um Spannungs- und Leistungsverluste zu vermeiden, muss das Kabel möglichst kurz und möglichst nicht unterbrochen sein. Vermeiden Sie daher zusätzliche Schalter, Stecker oder Verteilerdosen.
- Prüfen Sie vor dem Anschließen, ob die Betriebsspannung und die Batteriespannung übereinstimmen (siehe Typenschild).

1. Bestimmen Sie den notwendigen Querschnitt des Kabels in Abhängigkeit von der Kabellänge gemäß Abb. **5**, Seite 6.
2. Schließen Sie die Kabel an den AMP-Anschluss des Kühlschranks (Abb. **6**, Seite 6) an.
3. Verbinden Sie die andere Seite der Kabel mit der 12-V- Stromversorgung:== Stromversorgung:



### ACHTUNG! Beschädigungsgefahr

- Achten Sie auf die richtige Polung.
- Montieren Sie das Pluskabel (+) mit einer 10-A-Sicherung.

- so direkt wie möglich
- rd (rot): mit einer Sicherung (10 A) am Pluspol (+)
- bk (schwarz): zum Minuspol (-)

## 4.4 Kühlschranks befestigen



### ACHTUNG! Beschädigungsgefahr

Schrauben Sie nur durch die dafür vorgesehenen Buchsen, da ansonsten eingeschäumte Bauteile wie Leitungen beschädigt werden können.



### HINWEIS

- Befestigen Sie die Seitenwände oder die angebrachten Leisten so, dass die Schrauben auch bei erhöhter Beanspruchung (während der Fahrt) fest sitzen.
- Der Kühlschrank ist so konzipiert, dass er eine geregelte Luftzirkulation bereitstellt. Der Hersteller empfiehlt, keinen zusätzlichen Zwischenraum zwischen dem Kühlschrank und den Wänden in der Aussparung zu belassen.

1. Bringen Sie den Kühlschrank in seine endgültige Position, wobei der vordere Flansch fest an der Vorderseite der Aussparung anliegt.
2. Drehen Sie die Schrauben (Abb. **7**, Seite 7) durch die Kunststoffbuchsen an den Seiten des Kühlschranks und weiter in die Nischenwand.
3. Setzen Sie die Abdeckkappen auf die Schraubenköpfe.

### Installieren der Systemsteuerung von RC10.4P.100

- Installieren Sie das Bedienfeld wie abgebildet (Abb. **8**, Seite 7).

## 5 Technische Daten

Die aktuelle EU-Konformitätserklärung für Ihr Gerät erhalten Sie auf der jeweiligen Produktseite auf [dometic.com](http://dometic.com) oder direkt über den Hersteller (siehe [dometic.com/dealer](http://dometic.com/dealer)).

Weitere Produktinformationen sind über den QR-Code auf dem Energielabel am Gerät oder unter [eprel.ec.europa.eu](http://eprel.ec.europa.eu) abrufbar.


Dieses Gerät entspricht der UN ECE-Regelung R10.05.2014.

Je nach Modell verwendet der Kühlschrank entweder R134a oder R600a als Kältemittel. Das verwendete Kühlmittel können Sie dem Typenschild entnehmen.


In den R134a-Modellen kommen folgende Kühlmittel zur Anwendung:


Enthält fluoridierte Treibhausgase


Hermetisch geschlossene Einrichtung

	RC10.4(S)(T).70		RC10.4(S)(T).90		RC10.4P.100	
Inhalt						
Bruttoinhalt:	62 l		86 l		94 l	
Kühlraum:	54,5 l		75,5 l		81 l	
Tiefkühlfach:	7,5 l		7,5 l		9 l	
Nutzzinhalt insgesamt:	62 l		83 l		90 l	
Ohne Tiefkühlfach						
Bruttoinhalt:	69 l		90 l		98 l	
Nutzzinhalt:	64 l		85 l		93 l	
Anschlussspannung:	12 V $\equiv$		12 V $\equiv$		12 V $\equiv$	
Durchschnittliche Leistungsaufnahme:	42 W		45 W		48 W	
Energieverbrauch	0,45 kWh/24 Std.		0,45 kWh/24 Std.		0,46 kWh/24 Std.	
Modus LEISTUNGSFÄHIGKEIT:	37.5 Ah/24 Std.		37.5 Ah/24 Std.		38 Ah/24 Std.	
Klimaklasse:	T		T		T	
Kältemittel:	R134a	R600a	R134a	R600a	R134a	R600a
Kältemittelmenge:	40 g	15 g	43 g	17 g	47 g	17 g
CO <sub>2</sub> -Äquivalent:	0,057 t	0,045 kg	0,061 t	0,051 kg	0,067 t	0,051 kg
Treibhauspotential (GWP):	1430	3	1430	3	1430	3
Schallemission (EN60704):						
Modus LEISTUNGSFÄHIGKEIT:	42 dB(A)		42 dB(A)		42 dB(A)	
QUIET-Modus:	39 dB(A)		39 dB(A)		39 dB(A)	
Abmessungen H x B x T (in mm):	821 x 420 x 450		975 x 420 x 485		902 x 420 x 655 (hinterer Kompressor) 902 x 590 x 485 (Seitenkompressor)	
Gewicht:	19,5 kg		21,4 kg		21,0 kg	
Prüfung/Zertifikat:						



	<b>RCD 10.5(S)(T)</b>	<b>RCD 10.5X(S)(T)</b>
Inhalt		
Bruttoinhalt:	153 l	177 l
Kühlraum:	118 l	142 l
Tiefkühlfach:	29 l	35 l
Nutzinhalt insgesamt:	147 l	171 l
Ohne Tiefkühlfach		
Bruttoinhalt:	-	-
Nutzinhalt:	-	-
Anschlussspannung:	12 V $\overline{=}$	12 V $\overline{=}$
Durchschnittliche Leistungsaufnahme:	54 W	54 W
Energieverbrauch Modus LEISTUNGSFÄHIGKEIT:	0,70 kWh/24 Std. 58 Ah/24 Std.	0,72 kWh/24 Std. 60 Ah/24 Std.
Klimaklasse:	ST	ST
Kältemittel:	R134a	R134a
Kältemittelmenge:	44 g	44 g
CO <sub>2</sub> -Äquivalent:	0,063 t	0,063 t
Treibhauspotential (GWP):	1430	1430
Schallemission (EN60704): Modus LEISTUNGSFÄHIGKEIT: QUIET-Modus:	42 dB(A) 39 dB(A)	42 dB(A) 39 dB(A)
Abmessungen H x B x T (in mm):	1282 x 523 x 565	1282 x 523 x 620
Gewicht:	36,5 kg	39,5 kg
Prüfung/Zertifikat:		

	<b>RCL10.4(S)(T)</b>	<b>RCL10.4E(S)(T)</b>
Inhalt		
Bruttoinhalt:	133 l	154 l
Kühlraum:	116 l	131 l
Tiefkühlfach:	12 l	18 l
Nutzinhalt insgesamt:	128 l	149 l
Ohne Tiefkühlfach		
Bruttoinhalt:	139 l	157 l
Nutzinhalt:	134 l	152 l
Anschlussspannung:	12 V $\equiv$	12 V $\equiv$
Durchschnittliche Leistungsaufnahme:	54 W	57 W
Energieverbrauch Modus LEISTUNGSFÄHIGKEIT:	0,66 kWh/24 Std. 55 Ah/24 Std.	0,54 kWh/24 Std. 45 Ah/24 Std.
Klimaklasse:	ST	ST
Kältemittel:	R134a	R600a
Kältemittelmenge:	40 g	29 g
CO <sub>2</sub> -Äquivalent:	0,057 t	0,087 kg
Treibhauspotential (GWP):	1430	3
Schallemission (EN60704): Modus LEISTUNGSFÄHIGKEIT: QUIET-Modus:	42 dB(A) 39 dB(A)	42 dB(A) 39 dB(A)
Abmessungen H x B x T (in mm):	1293 x 420 x 595	1293 x 420 x 595
Gewicht:	32 kg	31 kg
Prüfung/Zertifikat:		

	<b>RCS 10.5(S)(T)</b>	<b>RCS 10.5X(S)(T)</b>
Inhalt		
Bruttoinhalt:	78 l	92 l
Kühlraum:	69,1 l	80,3 l
Tiefkühlfach:	9,2 l	12,1 l
Nutzinhalt insgesamt:	78 l	92 l
Ohne Tiefkühlfach		
Bruttoinhalt:	83 l	98 l
Nutzinhalt:	83 l	98 l
Anschlussspannung:	12 V	12 V
Durchschnittliche Leistungsaufnahme:	5.9 A	5,5 A
Energieverbrauch	0,42 kWh/24 Std.	0,43 kWh/24 Std.
Modus LEISTUNGSFÄHIGKEIT:	35 Ah/24 Std.	35,5 Ah/24 Std.
Klimaklasse:	N, ST	N, ST
Kältemittel:	R600a	R600a
Kältemittelmenge:	24 g	23 g
CO <sub>2</sub> -Äquivalent:	0,072 kg	0,069 kg
Treibhauspotential (GWP):	3	3
Schallemission (EN60704):		
Mit Luftkanal:		
Modus LEISTUNGSFÄHIGKEIT:	44 dB(A)	44 dB(A)
QUIET-Modus:	39 dB(A)	39 dB(A)
Ohne Luftkanal:		
Modus LEISTUNGSFÄHIGKEIT:	42 dB(A)	42 dB(A)
QUIET-Modus:	38 dB(A)	38 dB(A)
Abmessungen H x B x T (in mm):	821 x 523 x 555	821 x 523 x 610
Gewicht:	24,5 kg	25 kg
Prüfung/Zertifikat:		

Veillez lire et suivre attentivement l'ensemble des instructions, directives et avertissements figurant dans ce manuel afin de vous assurer que vous installez, utilisez et entretenez le produit correctement à tout moment. Ces instructions DOIVENT rester avec le produit.

En utilisant ce produit, vous confirmez expressément avoir lu attentivement l'ensemble des instructions, directives et avertissements et que vous comprenez et acceptez de respecter les modalités et conditions énoncées dans le présent document. Vous acceptez d'utiliser ce produit uniquement pour l'usage et l'application prévus et conformément aux instructions, directives et avertissements figurant dans le présent manuel, ainsi qu'à toutes les lois et réglementations applicables. En cas de non-respect des instructions et avertissements figurant dans ce manuel, vous risquez de vous blesser ou de blesser d'autres personnes, d'endommager votre produit ou d'endommager d'autres biens à proximité. Le présent manuel du produit, y compris les instructions, directives et avertissements, ainsi que la documentation associée peuvent faire l'objet de modifications et de mises à jour. Pour obtenir des informations actualisées sur le produit, veuillez consulter le site [dometic.com](http://dometic.com).

## Sommaire

1	Signification des symboles . . . . .	36
2	Consignes de sécurité . . . . .	37
3	Usage conforme . . . . .	39
4	Installation du réfrigérateur . . . . .	40
5	Caractéristiques techniques . . . . .	45

## 1 Signification des symboles



### AVERTISSEMENT !

**Consignes de sécurité :** indiquent une situation dangereuse qui, si elle n'est pas évitée, est susceptible d'entraîner des blessures graves, voire mortelles.



### ATTENTION !

**Consignes de sécurité :** indiquent une situation dangereuse qui, si elle n'est pas évitée, est susceptible d'entraîner des blessures légères ou de gravité modérée.



### AVIS !

indiquent une situation dangereuse qui, si elle n'est pas évitée, peut entraîner des dommages matériels.



### REMARQUE

Informations supplémentaires sur l'utilisation de ce produit.

## 2 Consignes de sécurité

### 2.1 Consignes générales de sécurité



**AVERTISSEMENT ! Le non-respect de ces mises en garde peut entraîner des blessures graves, voire mortelles.**

#### **Risque d'électrocution**

- L'installation et le retrait du réfrigérateur doivent uniquement être réalisés par un opérateur qualifié.
- Si le réfrigérateur présente des dégâts visibles, vous ne devez pas le mettre en service.
- Seul un professionnel est habilité à réparer le réfrigérateur. Toute réparation incorrecte peut entraîner des risques de sécurité ou de dégâts considérables sur le réfrigérateur.
- Si le câble de raccordement du réfrigérateur est endommagé, il doit être remplacé par le fabricant, son service après-vente ou une personne de qualification similaire, afin d'éviter tout danger.
- Veillez à ne pas coincer ni endommager le cordon d'alimentation lors de la mise en place du réfrigérateur.
- Ne placez pas de multiprises portables ou de blocs d'alimentation portables à l'arrière du réfrigérateur.

#### **Risque d'incendie**

- Le fluide frigorigène du circuit frigorifique s'enflamme facilement. En cas d'endommagement du circuit frigorifique (odeur d'ammoniaque) :
  - Éteignez le réfrigérateur.
  - Évitez toute flamme nue et/ou étincelle.
  - Aérez bien la pièce.

#### **Risque d'explosion**

- Ne pulvérisiez pas d'aérosols à proximité du réfrigérateur lorsqu'il fonctionne.
- Ne stockez aucune substance explosive (comme des aérosols contenant des gaz combustibles, par exemple) dans le réfrigérateur.

**Risque pour la santé**

- Ce réfrigérateur peut être utilisé par des enfants âgés de 8 ans et plus et des personnes ayant des capacités physiques, sensorielles ou mentales réduites ou un manque d'expérience et de connaissances, s'ils sont sous surveillance ou ont reçu des instructions sur l'utilisation du réfrigérateur en toute sécurité et comprennent les risques impliqués.
- Les enfants âgés de 3 à 8 ans peuvent remplir et vider le réfrigérateur.
- Le nettoyage et la maintenance ne doivent pas être effectués par des enfants sans surveillance.
- Les enfants doivent être surveillés pour s'assurer qu'ils ne jouent pas avec le réfrigérateur.

**Risque de coincement des enfants**

- Veillez à ce que les étagères soient montées et à ce que les enfants ne puissent pas s'enfermer dans le réfrigérateur.
- Avant de mettre au rebut votre ancien réfrigérateur :
  - Démontez les tiroirs.
  - Laissez les clayettes dans le réfrigérateur, afin que les enfants ne puissent pas entrer dedans.

**ATTENTION ! Le non-respect de ces mises en garde peut entraîner des blessures légères ou de gravité modérée.****Risque pour la santé**

- Pour éviter tout risque dû à l'instabilité du réfrigérateur, celui-ci doit être fixé conformément aux instructions d'installation.
- Veillez à ce que les orifices de ventilation situés sur le châssis du réfrigérateur ou dans la structure intégrée ne soient pas obstrués.
- N'utilisez pas d'appareils mécaniques ou d'autres moyens pour accélérer le processus de décongélation, outre ceux recommandés par le fabricant.
- N'ouvrez jamais le circuit frigorifique.
- N'exploitez aucun appareil électrique à l'intérieur du réfrigérateur, sauf si le fabricant le recommande.

**Risque de blessure**

- N'utilisez ou ne stockez pas de matériaux inflammables dans ce réfrigérateur ou à proximité de celui-ci.
- Ne placez pas d'articles dans ou contre ce réfrigérateur.
- Ne modifiez pas ce réfrigérateur.

**AVIS ! Risque d'endommagement**

- Vérifiez que la tension indiquée sur la plaque signalétique correspond à l'alimentation électrique dont vous disposez.
- Ne placez pas le réfrigérateur près de flammes ou d'autres sources de chaleur (chauffage, rayons solaires, fours à gaz, etc.).
- Veillez à ce que l'évacuation de la condensation soit toujours propre.
- Lors du nettoyage de véhicule dans la zone de la grille d'aération, n'utilisez pas de nettoyeur à haute pression.
- Montez les couvercles d'hivernage de la grille d'aération (accessoires) si le véhicule est nettoyé de l'extérieur ou n'est pas mis en service pendant une période prolongée.
- Le réfrigérateur ne doit pas être exposé à la pluie.

### 3 Usage conforme

Le réfrigérateur est adapté à ce qui suit :

- Le montage dans des caravanes ou camping-cars
- Le refroidissement, la congélation et le stockage d'aliments

Le réfrigérateur n'est pas adapté à ce qui suit :

- Le stockage de médicaments
- Le stockage de substances corrosives ou contenant des solvants
- La surgélation d'aliments

Le réfrigérateur est destiné à être installé dans un meuble ou une cavité dédiée.

Le compartiment de congélation à deux étoiles convient pour le stockage des produits précongelés et pour le stockage ou la préparation de glaces et de glaçons. Il n'est pas adapté à la congélation d'aliments.

Ce produit convient uniquement à l'usage et à l'application prévus, conformément aux présentes instructions.

Ce manuel fournit les informations nécessaires à l'installation et/ou à l'utilisation correcte du produit. Une installation, une utilisation ou un entretien inappropriés entraînera des performances insatisfaisantes et une éventuelle défaillance.

Le fabricant décline toute responsabilité en cas de blessure ou de dégâts sur le produit résultant :

- d'un montage ou d'un raccordement incorrect, y compris d'une surtension

- d'un entretien inadapté ou de l'utilisation de pièces de rechange autres que les pièces de rechange d'origine fournies par le fabricant
- de modifications apportées au produit sans autorisation explicite du fabricant
- d'usages différents de ceux décrits dans ce manuel

Dometic se réserve le droit de modifier l'apparence et les spécifications produit.

## 4 Installation du réfrigérateur



### **ATTENTION ! Risque pour la santé**

Pour éviter tout risque dû à l'instabilité de l'appareil, celui-ci doit être fixé conformément aux instructions.



Vous trouverez les instructions pour le remplacement de la butée de porte et de la façade en ligne, sous :

[documents.dometic.com/?object\\_id=63258](https://documents.dometic.com/?object_id=63258)

L'appareil est conçu pour le montage dans :

- des caravanes
- des camping-cars

### 4.1 Préparation au montage



#### **ATTENTION ! Risque de blessure**

L'appareil a des bords tranchants et il faut porter des gants lors de l'installation.



#### **AVIS ! Risque d'endommagement**

- Le réfrigérateur ne doit pas être installé à l'arrière des caravanes avec la porte orientée dans le sens de la marche.
- Laissez l'appareil en position verticale pendant au moins 3 heures avant de le mettre en marche pour la première fois.



**REMARQUE**

- Dans les camping-cars, il est possible d'installer une unité sous le comptoir, avec la porte orientée dans le sens de la marche, à condition qu'elle soit installée à côté de la porte coulissante et derrière le siège du copilote.
- Si le réfrigérateur à compresseur remplace un appareil à absorption, vous devez vous assurer que les grilles de ventilation externes sont complètement fermées, sinon le compresseur risque de ne pas fonctionner à basse température ambiante (~ en dessous de 0 °C).

Tenez compte des remarques suivantes lors du montage du réfrigérateur :

- Veillez à ce que le sol soit solide et plat.  
Garez le véhicule horizontalement à cet effet.
- Le réfrigérateur doit être installé de sorte
  - à être facilement accessible pour les travaux de maintenance
  - à pouvoir être installé et désinstallé facilement
  - à pouvoir être retiré sans trop d'effort du véhicule
- Le réfrigérateur doit être encastré afin qu'il soit stable lorsque le véhicule se déplace. Notez les dimensions dans fig. **1**, page 3 à fig. **3**, page 5 à cette fin.
- Notez également la dimension suivante de la niche (fig. **4**, page 5) :

	<b>RC10.4(S)(T).70</b>	<b>RC10.4(S)(T).90</b>	<b>RC10.4P.100</b>
Hauteur du réfrigérateur <b>(A)</b>	821 mm	975 mm	900 mm
Largeur du réfrigérateur <b>(B)</b>	420 mm	420 mm	420 mm (compresseur arrière) 590 mm (compresseur laté- ral)
Profondeur du réfrigé- rateur <b>(C)</b> (à l'exception du bouton de commande 5 mm)	450 mm	485 mm	655 mm (compresseur arrière) 485 mm (compresseur laté- ral)
Hauteur de la niche <b>(H)</b>	823 mm	977 mm	902 mm

	RC10.4(S)(T).70	RC10.4(S)(T).90	RC10.4P.100
Largeur de la niche ( <b>W</b> )	425 mm	425 mm	425 mm (compresseur arrière) 595 mm (compresseur latéral)
Profondeur de la cavité ( <b>D</b> )	452 mm	487 mm	657 mm (compresseur arrière) 487 mm (compresseur latéral)

	RCD10.5(S)(T)	RCD10.5X(S)(T)
Hauteur du réfrigérateur ( <b>A</b> )	1282 mm	1282 mm
Largeur du réfrigérateur ( <b>B</b> )	523 mm	523 mm
Profondeur du réfrigérateur ( <b>C</b> ) (à l'exception du bouton de commande 5 mm)	565 mm	620 mm
Hauteur de la niche ( <b>H</b> )	1285 mm	1285 mm
Largeur de la niche ( <b>W</b> )	528 mm	528 mm
Profondeur de la cavité ( <b>D</b> )	568 mm	623 mm

	RCL10.4(S)(T)	RCL10.4E(S)(T)
Hauteur du réfrigérateur ( <b>A</b> )	1293 mm	1282 mm
Largeur du réfrigérateur ( <b>B</b> )	420 mm	523 mm
Profondeur du réfrigérateur ( <b>C</b> ) (à l'exception du bouton de commande 5 mm)	595 mm	620 mm

	RCL10.4(S)(T)	RCL10.4E(S)(T)
Hauteur de la niche ( <b>H</b> )	1296 mm	1285 mm
Largeur de la niche ( <b>W</b> )	425 mm	528 mm
Profondeur de la cavité ( <b>D</b> )	598 mm	623 mm

	RCS10.5(S)(T)	RCS10.5X(S)(T)
Hauteur du réfrigérateur ( <b>A</b> )	821 mm	821 mm
Largeur du réfrigérateur ( <b>B</b> )	523 mm	523 mm
Profondeur du réfrigérateur ( <b>C</b> ) (à l'exception du bouton de commande 5 mm)	555 mm	610 mm
Hauteur de la niche ( <b>H</b> )	824 mm	824 mm
Largeur de la niche ( <b>W</b> )	528 mm	528 mm
Profondeur de la cavité ( <b>D</b> )	558 mm	613 mm

## 4.2 Installation de l'évacuation de condensation



### REMARQUE

- De la condensation peut se former à l'intérieur du réfrigérateur en raison de l'ouverture fréquente de la porte, d'aliments stockés de manière incorrecte ou d'aliments stockés lorsqu'il fait trop chaud.
- La condensation doit être évacuée avec une pente constante.

Installez l'évacuation de condensation comme suit :

- Faites passer le tuyau d'eau de condensation du réfrigérateur à travers une ouverture dans le plancher qui passe à l'extérieur.

### 4.3 Raccordement de l'alimentation électrique



#### AVIS ! Risque d'endommagement

- L'installation électrique et les réparations doivent être effectuées par un spécialiste, en conformité avec les règlements et les normes nationales applicables.
- Pour éviter des pertes de tension et de puissance frigorifique, le câble doit être le plus court possible et ne doit pas être interrompu. Évitez pour cette raison de placer des interrupteurs, des connecteurs ou des répartiteurs supplémentaires.
- Avant le branchement, vérifiez si la tension de fonctionnement et la tension de la batterie correspondent (voir la plaque signalétique).

1. Déterminez la section nécessaire du câble en fonction de sa longueur, selon fig. **5**, page 6.
2. Connectez les câbles au connecteur AMP du réfrigérateur (fig. **6**, page 6).
3. Connectez les autres extrémités des câbles 12 V $\overline{=}$  à l'alimentation électrique :



#### AVIS ! Risque d'endommagement

- Ce faisant, respectez la polarité.
- Équipez le câble positif (+) d'un fusible de 10 A.
  - le plus directement possible
  - rd (rouge) : fusible de protection (10 A) sur le pôle positif (+)
  - bk (noir) : sur le pôle négatif (-)

### 4.4 Fixation du réfrigérateur



#### AVIS ! Risque d'endommagement

Vissez toujours à travers les douilles prévues ; dans le cas contraire, les composants en mousse et les câbles, entre autres, pourraient être endommagés.



#### REMARQUE

- Fixez les parois latérales ou les plinthes de telle sorte que les vis soient bien serrées, même sous une charge accrue (pendant la conduite).
- Le réfrigérateur est conçu pour fournir un flux d'air régulé. Le fabricant ne recommande pas de laisser un espace additionnel entre le réfrigérateur et les murs avec évidence.

1. Déplacez le réfrigérateur vers son emplacement définitif avec le rebord avant appuyé contre la façade de la niche.
2. Vissez les vis (fig. **7**, page 7) dans les douilles en plastique des parois latérales du réfrigérateur puis dans le mur.
3. Placez les bouchons sur les têtes des vis.

### **Installation du panneau de commande du RC10.4P.100**

- Installez le panneau de commande comme indiqué (fig. **8**, page 7).

## **5 Caractéristiques techniques**

Pour la déclaration de conformité UE actuelle pour votre appareil, veuillez vous reporter à la page produit correspondante sur [dometic.com](http://dometic.com) ou contacter directement le fabricant (voir [dometic.com/dealer](http://dometic.com/dealer)).

Pour plus d'informations sur le produit, scannez le code QR figurant sur l'étiquette énergétique apposée sur celui-ci ou rendez-vous sur [eprel.ec.europa.eu](http://eprel.ec.europa.eu).


Cet appareil est conforme au règlement R10.05.2014 de la CEE ONU.


Selon le modèle, le réfrigérateur utilise un fluide frigorigène R134a ou R600a. Reportez-vous à la plaque signalétique pour connaître le type de fluide frigorigène utilisé.


Pour les modèles R134a :

Contient des gaz à effet de serre fluorés


Équipement hermétiquement scellé

	RC10.4(S)(T).70		RC10.4(S)(T).90		RC10.4P.100	
Capacité						
Capacité brute :	62 l		86 l		94 l	
Compartment réfrigérateur :	54,5 l		75,5 l		81 l	
Compartment de congélation :	7,5 l		7,5 l		9 l	
Capacité nette totale :	62 l		83 l		90 l	
À l'exclusion du compartiment de congélation	69 l		90 l		98 l	
Capacité brute :	64 l		85 l		93 l	
Capacité nette :						
Tension de raccordement :	12 V <sup>===</sup>		12 V <sup>===</sup>		12 V <sup>===</sup>	
Puissance moyenne absorbée :	42 W		45 W		48 W	
Consommation électrique	0,45 kWh/24 h		0,45 kWh/24 h		0,46 kWh/24 h	
Mode PERFORMANCE :	37,5 Ah/24 h		37,5 Ah/24 h		38 Ah/24 h	
Classe climatique :	T		T		T	
Fluide frigorigène :	R134a	R600a	R134a	R600a	R134a	R600a
Quantité de fluide frigorigène :	40 g	15 g	43 g	17 g	47 g	17 g
Équivalent CO2 :	0,057 t	0,045 kg	0,061 t	0,051 kg	0,067 t	0,051 kg
Potentiel de réchauffement global (PRG) :	1430	3	1430	3	1430	3
Émissions sonores (EN60704) :						
Mode PERFORMANCE :	42 dB(A)		42 dB(A)		42 dB(A)	
Mode SILENCIEUX :	39 dB(A)		39 dB(A)		39 dB(A)	
Dimensions h x l x p (en mm) :	821 x 420 x 450		975 x 420 x 485		902 x 420 x 655 (compresseur arrière) 902 x 590 x 485 (compresseur latéral)	
Poids :	19,5 kg		21,4 kg		21,0 kg	
Contrôle/certification :						

	<b>RCD 10.5(S)(T)</b>	<b>RCD 10.5X(S)(T)</b>
Capacité		
Capacité brute :	153 l	177 l
Compartment réfrigérateur :	118 l	142 l
Compartment de congélation :	29 l	35 l
Capacité nette totale :	147 l	171 l
À l'exclusion du compartment de congélation	-	-
Capacité brute :	-	-
Capacité nette :		
Tension de raccordement :	12 V <sup>===</sup>	12 V <sup>===</sup>
Puissance moyenne absorbée :	54 W	54 W
Consommation électrique	0.70 kWh/24 h	0.72 kWh/24 h
Mode PERFORMANCE :	58 Ah/24 h	60 Ah/24 h
Classe climatique :	ST	ST
Fluide frigorigène :	R134a	R134a
Quantité de fluide frigorigène :	44 g	44 g
Équivalent CO2 :	0,063 t	0,063 t
Potentiel de réchauffement global (PRG) :	1430	1430
Émissions sonores (EN60704) :		
Mode PERFORMANCE :	42 dB(A)	42 dB(A)
Mode SILENCIEUX :	39 dB(A)	39 dB(A)
Dimensions h x l x p (en mm) :	1282 x 523 x 565	1282 x 523 x 620
Poids :	36,5 kg	39,5 kg
Contrôle/certification :		

	<b>RCL10.4(S)(T)</b>	<b>RCL10.4E(S)(T)</b>
Capacité		
Capacité brute :	133 l	154 l
Compartment réfrigérateur :	116 l	131 l
Compartment de congélation :	12 l	18 l
Capacité nette totale :	128 l	149 l
À l'exclusion du compartment de congélation		
Capacité brute :	139 l	157 l
Capacité nette :	134 l	152 l
Tension de raccordement :	12 V <sup>===</sup>	12 V <sup>===</sup>
Puissance moyenne absorbée :	54 W	57 W
Consommation électrique	0.66 kWh/24 h	0.54 kWh/24 h
Mode PERFORMANCE :	55 Ah/24 h	45 Ah/24 h
Classe climatique :	ST	ST
Fluide frigorigène :	R134a	R600a
Quantité de fluide frigorigène :	40 g	29 g
Équivalent CO2 :	0,057 t	0,087 kg
Potentiel de réchauffement global (PRG) :	1430	3
Émissions sonores (EN60704) :		
Mode PERFORMANCE :	42 dB(A)	42 dB(A)
Mode SILENCIEUX :	39 dB(A)	39 dB(A)
Dimensions h x l x p (en mm) :	1293 x 420 x 595	1293 x 420 x 595
Poids :	32 kg	31 kg
Contrôle/certification :		



	<b>RCS 10.5(S)(T)</b>	<b>RCS 10.5X(S)(T)</b>
Capacité		
Capacité brute :	78 l	92 l
Compartment réfrigérateur :	69,1 l	80,3 l
Compartment de congélation :	9,2 l	12,1 l
Capacité nette totale :	78 l	92 l
À l'exclusion du compartment de congélation	83 l	98 l
Capacité brute :	83 l	98 l
Capacité nette :		
Tension de raccordement :	12 V	12 V
Puissance moyenne absorbée :	5,9 A	5,5 A
Consommation électrique	0,42 kWh/24 h	0.43 kWh/24 h
Mode PERFORMANCE :	35 Ah/24 h	35,5 Ah/24 h
Classe climatique :	N, ST	N, ST
Fluide frigorigène :	R600a	R600a
Quantité de fluide frigorigène :	24 g	23 g
Équivalent CO2 :	0,072 kg	0,069 kg
Potentiel de réchauffement global (PRG) :	3	3
Émissions sonores (EN60704) :		
Avec canal d'air :		
Mode PERFORMANCE :	44 dB(A)	44 dB(A)
Mode SILENCIEUX :	39 dB(A)	39 dB(A)
Sans canal d'air :		
Mode PERFORMANCE :	42 dB(A)	42 dB(A)
Mode SILENCIEUX :	38 dB(A)	38 dB(A)
Dimensions h x l x p (en mm) :	821 x 523 x 555	821 x 523 x 610
Poids :	24,5 kg	25 kg
Contrôle/certification :		

Lea atentamente estas instrucciones y siga las indicaciones, directrices y advertencias incluidas en este manual para asegurarse de que instala, utiliza y mantiene correctamente el producto en todo momento. Estas instrucciones DEBEN permanecer con este producto.

Al utilizar el producto, usted confirma que ha leído cuidadosamente todas las instrucciones, directrices y advertencias, y que entiende y acepta cumplir los términos y condiciones aquí establecidos. Usted se compromete a utilizar este producto solo para el propósito y la aplicación previstos y de acuerdo con las instrucciones, directrices y advertencias establecidas en este manual del producto, así como de acuerdo con todas las leyes y reglamentos aplicables. No leer o incumplir las instrucciones y advertencias aquí expuestas puede causarle lesiones a usted o a terceros, daños en el producto o daños en otras propiedades cercanas. Este manual del producto, incluyendo las instrucciones, directrices y advertencias, y la documentación relacionada, pueden estar sujetos a cambios y actualizaciones. Para obtener información actualizada sobre el producto, visite la página [dometic.com](http://dometic.com).

## Índice

1	Explicación de los símbolos . . . . .	50
2	Indicaciones de seguridad . . . . .	51
3	Uso adecuado . . . . .	53
4	Montaje de la nevera . . . . .	54
5	Datos técnicos. . . . .	59

## 1 Explicación de los símbolos



### ¡ADVERTENCIA!

**Indicación de seguridad:** Indica una situación peligrosa que, de no evitarse, puede ocasionar la muerte o lesiones graves.



### ¡ATENCIÓN!

**Indicación de seguridad:** Indica una situación peligrosa que, de no evitarse, puede ocasionar lesiones moderadas o leves.



### ¡AVISO!

Indica una situación peligrosa que, de no evitarse, puede provocar daños materiales.



### NOTA

Información adicional para el manejo del producto.

## 2 Indicaciones de seguridad

### 2.1 Seguridad general



**¡ADVERTENCIA! El incumplimiento de estas advertencias podría acarrear la muerte o lesiones graves.**

#### **Riesgo de electrocución**

- Únicamente el personal cualificado podrá ejecutar la instalación y la retirada de la nevera.
- No ponga la nevera en funcionamiento si presenta desperfectos visibles.
- Solo personal especializado está autorizado a realizar reparaciones en la nevera. Las reparaciones inadecuadas pueden ocasionar un riesgo considerable o daños a la nevera.
- Si se daña el cable de conexión de esta nevera, el fabricante, su servicio de atención al cliente o una persona cualificada debe reemplazarlo para evitar así posibles peligros.
- Cuando ubique la nevera, asegúrese de que el cable de suministro eléctrico no haya quedado atrapado o esté dañado.
- No coloque varias tomas o suministros de corriente portátiles detrás de la nevera.

#### **Peligro de incendio**

- El refrigerante del circuito de refrigeración es muy inflamable. Si el circuito de refrigeración se daña (huele a amoníaco):
  - Apague la nevera.
  - Evite el fuego abierto y las chispas.
  - Ventile bien la habitación.

#### **Peligro de explosión**

- No rocíe aerosoles en las inmediaciones de esta nevera mientras está en funcionamiento.
- No guarde en la nevera sustancias con peligro de explosión como, p. ej., pulverizadores con gases combustibles.

#### **Riesgo para la salud**

- Esta nevera puede ser utilizada por menores a partir de 8 años y personas con capacidad física, sensorial o mental reducida, o con falta de experiencia y conocimientos, siempre que lo hagan bajo supervisión o hayan recibido instrucciones relativas al uso de la misma de manera segura y entendiendo los riesgos asociados.

- Los menores de 3 a 8 años pueden introducir y extraer productos de la nevera.
- Los niños solo podrán realizar las tareas de limpieza y mantenimiento bajo vigilancia.
- Controle a los niños para asegurarse de que no jueguen con la nevera.

### **Riesgo de atrapamiento de niños**

- Asegúrese de montar y asegurar las bandejas de tal manera que los niños no puedan encerrarse dentro de la nevera.
- Antes de desechar su vieja nevera:
  - Desmonte los cajones.
  - Deje las bandejas dentro de la nevera para que los niños no puedan entrar en ella.



### **¡ATENCIÓN! El incumplimiento de estas precauciones podría acarrear lesiones moderadas o leves.**

#### **Riesgo para la salud**

- Para evitar peligros causados por la inestabilidad de la nevera, esta deberá fijarse tal como se indica en las instrucciones de instalación.
- Asegúrese de que las aberturas de ventilación, tanto de la carcasa de la nevera como de la estructura en la que esté empotrada, no estén nunca obstruidas.
- No utilice dispositivos mecánicos u otros medios para acelerar el proceso de descongelación, salvo los recomendados por el fabricante.
- No abra nunca el circuito de refrigerante.
- No utilice ningún aparato eléctrico dentro de la nevera, a no ser que el aparato en cuestión haya sido recomendado para ello por el fabricante del mismo.

#### **Riesgo de lesiones**

- No utilice ni almacene sustancias inflamables en el interior de la nevera ni cerca de ella.
- No coloque objetos encima de la nevera o apoyados en ella.
- No haga modificaciones en esta nevera.



### **¡AVISO! Peligro de daños**

- Compruebe que la especificación de tensión indicada en la placa de características sea igual a la de la fuente de alimentación.
- No coloque la nevera cerca de fuentes de calor (calefacción, radiación directa del sol, estufas de gas, etc.).

- Mantenga siempre limpio el drenaje de condensación.
- No emplee limpiadores de agua a alta presión en el área de la rejilla de ventilación al limpiar el vehículo.
- Coloque las cubiertas de invierno de la rejilla de ventilación (opcionales) cuando limpie el vehículo por fuera o cuando no vaya a utilizarlo durante un período de tiempo prolongado.
- La nevera no debe quedar expuesta a la lluvia.

### 3 Uso adecuado

La nevera solo es adecuada para:

- Instalación en caravanas y autocaravanas
- Refrigerar, congelar y almacenar alimentos

La nevera no es adecuada para:

- Almacenar medicamentos
- almacenar sustancias corrosivas o sustancias que contengan disolventes
- Alimentos de congelación rápida

La nevera está diseñada para instalarse en un armario o en un nicho de instalación.

El compartimento para congelados de dos estrellas es adecuado para almacenar productos precongelados, almacenar o hacer helados y hacer cubitos de hielo. No es adecuada para congelar alimentos que no estaban congelados con anterioridad.

Este producto solo es apto para el uso y la aplicación previstos de acuerdo con estas instrucciones.

Este manual proporciona la información necesaria para la correcta instalación y/o funcionamiento del producto. Una instalación deficiente y/o un uso y mantenimiento inadecuados conllevan un rendimiento insatisfactorio y posibles fallos.

El fabricante no se hace responsable de ninguna lesión o daño en el producto ocasionados por:

- Un montaje o conexión incorrectos, incluido un exceso de tensión
- Un mantenimiento incorrecto o el uso de piezas de repuesto distintas de las originales proporcionadas por el fabricante
- Modificaciones realizadas en el producto sin el expreso consentimiento del fabricante
- Uso con una finalidad distinta de la descrita en las instrucciones

Domestic se reserva el derecho de cambiar la apariencia y las especificaciones del producto.

## 4 Montaje de la nevera



### **¡ATENCIÓN! Riesgo para la salud**

Para evitar peligros causados por la inestabilidad del aparato, este deberá fijarse tal como se indica en las instrucciones.



Las instrucciones en línea para el cambio del tope de la puerta y la placa decorativa están disponibles en:

[documents.domestic.com/?object\\_id=63258](https://documents.domestic.com/?object_id=63258)

El aparato es adecuado para su instalación en:

- caravanas
- autocaravanas

## 4.1 Preparación del montaje



### ¡ATENCIÓN! Riesgo de lesiones

El dispositivo tiene bordes afilados y se deben usar guantes durante la instalación.



### ¡AVISO! Peligro de daños

- No monte la nevera en la parte trasera de una autocaravana con la puerta apuntando en el sentido de la marcha.
- Deje el aparato en posición vertical durante al menos 3 horas antes de ponerlo en marcha por primera vez.



### NOTA

- En las autocaravanas se puede instalar una unidad bajo la encimera con la puerta apuntando en la dirección de la marcha, siempre y cuando se instale junto a la puerta corrediza y detrás del asiento del copiloto.
- Si la nevera de compresor sustituye a otra unidad de absorción, hay que asegurarse de que las rejillas de ventilación externas estén completamente cerradas, de lo contrario existe el riesgo de que el compresor no funcione a una temperatura ambiente baja (por debajo de 0 °C aprox.).

Durante el montaje de la nevera, tenga en cuenta las siguientes indicaciones:

- Asegúrese de que el suelo sea sólido y nivelado.  
Con este fin, aparque el vehículo en posición horizontal.
- La nevera debe estar instalada de forma que
  - resulte fácilmente accesible para trabajos de mantenimiento
  - resulte fácil de desinstalar e instalar
  - pueda retirarse fácilmente del vehículo
- La nevera se debe instalar empotrada para que no se desplace con el movimiento del vehículo. Tenga en cuenta las dimensiones de fig. **1**, página 3 a fig. **3**, página 5 para este cometido.
- Observe también las siguientes dimensiones del hueco (fig. **4**, página 5):

	<b>RC10.4(S)(T).70</b>	<b>RC10.4(S)(T).90</b>	<b>RC10.4P.100</b>
Altura del refrigerador <b>(A)</b>	821 mm	975 mm	900 mm
Anchura del refrigerador <b>(B)</b>	420 mm	420 mm	420 mm (compresor trasero) 590 mm (compresor lateral)
Profundidad del refrigerador <b>(C)</b> (no incluye el regulador giratorio de 5 mm)	450 mm	485 mm	655 mm (compresor trasero) 485 mm (compresor lateral)
Altura del hueco <b>(H)</b>	823 mm	977 mm	902 mm
Anchura del hueco <b>(W)</b>	425 mm	425 mm	425 mm (compresor trasero) 595 mm (compresor lateral)
Profundidad del hueco <b>(D)</b>	452 mm	487 mm	657 mm (compresor trasero) 487 mm (compresor lateral)

	<b>RCD10.5(S)(T)</b>	<b>RCD10.5X(S)(T)</b>
Altura del refrigerador <b>(A)</b>	1282 mm	1282 mm
Anchura del refrigerador <b>(B)</b>	523 mm	523 mm
Profundidad del refrigerador <b>(C)</b> (no incluye el regulador giratorio de 5 mm)	565 mm	620 mm
Altura del hueco <b>(H)</b>	1285 mm	1285 mm
Anchura del hueco <b>(W)</b>	528 mm	528 mm
Profundidad del hueco <b>(D)</b>	568 mm	623 mm



	<b>RCL10.4(S)(T)</b>	<b>RCL10.4E(S)(T)</b>
Altura del refrigerador <b>(A)</b>	1293 mm	1282 mm
Anchura del refrigerador <b>(B)</b>	420 mm	523 mm
Profundidad del refrigerador <b>(C)</b> (no incluye el regulador giratorio de 5 mm)	595 mm	620 mm
Altura del hueco <b>(H)</b>	1296 mm	1285 mm
Anchura del hueco <b>(W)</b>	425 mm	528 mm
Profundidad del hueco <b>(D)</b>	598 mm	623 mm

	<b>RCS10.5(S)(T)</b>	<b>RCS10.5X(S)(T)</b>
Altura del refrigerador <b>(A)</b>	821 mm	821 mm
Anchura del refrigerador <b>(B)</b>	523 mm	523 mm
Profundidad del refrigerador <b>(C)</b> (no incluye el regulador giratorio de 5 mm)	555 mm	610 mm
Altura del hueco <b>(H)</b>	824 mm	824 mm
Anchura del hueco <b>(W)</b>	528 mm	528 mm
Profundidad del hueco <b>(D)</b>	558 mm	613 mm

## 4.2 Instalación del desagüe del agua de condensación



### NOTA

- En la nevera se puede formar condensación debido a la apertura frecuente de la puerta, alimentos mal almacenados o comida guardada cuando todavía está caliente.
- La condensación debe desagüarse con una pendiente constante.

Monte el desagüe de condensación de la siguiente manera:

- ▶ Lleve el tubo del agua de condensación de la nevera al exterior a través de una abertura del suelo.

## 4.3 Conexión de la alimentación de tensión



### ¡AVISO! Peligro de daños

- La instalación eléctrica y las correspondientes reparaciones deben ser realizadas por personal especializado de acuerdo con las normativas y estándares vigentes en cada país.
- Para evitar una caída de tensión y, con ello, un descenso del rendimiento, el cable debería ser lo más corto posible y sin interrupciones. Por ello, evite instalar interruptores, enchufes o cajas de distribución adicionales.
- Antes de realizar la conexión, compruebe si la tensión de funcionamiento y la tensión de la batería coinciden (véase la placa de características).

1. Determine la sección necesaria del cable dependiendo de su longitud según fig. **5**, página 6.
2. Conecte los cables al conector AMP del refrigerador (fig. **6**, página 6).
3. Conecte los otros extremos de los cables a la fuente de alimentación de 12 V $\overline{=}$  :



### ¡AVISO! Peligro de daños

- Preste atención a la polaridad correcta.
- Equipe el cable positivo (+) con un fusible de 10 A.
  - lo más directamente posible
  - rd (rojo): con un fusible de protección (10 A) colocado en el polo positivo (+)
  - bk (negro): al polo negativo (-)

## 4.4 Fijar la nevera



### ¡AVISO! Peligro de daños

Atornille solo a través de los casquillos guía previstos para ello, ya que, de lo contrario, pueden dañarse los componentes protegidos con espuma, como los cables.



### NOTA

- Sujete las paredes laterales o los listones instalados de forma que los tornillos estén fijos incluso en caso de mucha carga (durante la conducción).
- La nevera está diseñada para suministrar un flujo de aire regulado. El fabricante recomienda no dejar ningún espacio adicional entre la nevera y las paredes del hueco.

1. Mueva el refrigerador a su ubicación final con la brida delantera apretada contra el frente del hueco.
2. Apriete los tornillos (fig. **7**, página 7) a través de los casquillos guía de plástico en los lados del refrigerador y hasta el interior de la pared.
3. Ponga las tapas en las cabezas de los tornillos.

### Instalación del panel de control de RC10.4P.100

- Instale el panel de control como se muestra (fig. **8**, página 7).

## 5 Datos técnicos

Para la declaración de conformidad UE actual de su aparato, dirjase a la página de producto correspondiente en [dometic.com](http://dometic.com) o póngase en contacto directamente con el fabricante (véase [dometic.com/dealer](http://dometic.com/dealer)).

Encontrará más información sobre el producto a través del código QR de la etiqueta energética que aparece en el producto o en el sitio [eprel.ec.europa.eu](http://eprel.ec.europa.eu).


Este dispositivo cumple la norma UN ECE R10.05.2014.


Según el modelo de que se trate, la nevera usa refrigerantes tipo R134a o R600a. Consulte la etiqueta de tipo para saber el refrigerante utilizado.


Para los modelos R134a se aplica lo siguiente:


Contiene gases de efecto invernadero fluorados

Aparato sellado herméticamente

	RC10.4(S)(T).70		RC10.4(S)(T).90		RC10.4P.100	
Capacidad						
Capacidad bruta:	62 l		86 l		94 l	
Compartimento refrigerador:	54,5 l		75,5 l		81 l	
Compartimento para congelados:	7,5 l		7,5 l		9 l	
Capacidad neta total:	62 l		83 l		90 l	
Sin incluir el compartimento para congelados	69 l		90 l		98 l	
Capacidad bruta:	64 l		85 l		93 l	
Capacidad neta:						
Tensión de conexión:	12 V <sup>===</sup>		12 V <sup>===</sup>		12 V <sup>===</sup>	
Potencia media de entrada:	42 W		45 W		48 W	
Consumo de energía	0,45 kWh/24 h		0,45 kWh/24 h		0,46 kWh/24 h	
Modo PERFORMANCE:	37,5 Ah/24 h		37,5 Ah/24 h		38 Ah/24 h	
Clase climática:	T		T		T	
Refrigerante:	R134a	R600a	R134a	R600a	R134a	R600a
Cantidad de refrigerante:	40 g	15 g	43 g	17 g	47 g	17 g
Equivalente de CO <sub>2</sub> :	0,057 t	0,045 kg	0,061 t	0,051 kg	0,067 t	0,051 kg
Índice GWP (Global warming potential):	1430	3	1430	3	1430	3
Emisión de ruidos (EN60704):						
Modo PERFORMANCE:	42 dB(A)		42 dB(A)		42 dB(A)	
Modo QUIET:	39 dB(A)		39 dB(A)		39 dB(A)	
Dimensiones H x A x P (en mm):	821 x 420 x 450		975 x 420 x 485		902 x 420 x 655 (compresor trasero) 902 x 590 x 485 (compresor lateral)	
Peso:	19,5 kg		21,4 kg		21,0 kg	
Inspección/certificados:						

	<b>RCD 10.5(S)(T)</b>	<b>RCD 10.5X(S)(T)</b>
Capacidad		
Capacidad bruta:	153 l	177 l
Compartimento refrigerador:	118 l	142 l
Compartimento para congelados:	29 l	35 l
Capacidad neta total:	147 l	171 l
Sin incluir el compartimento para congelados	-	-
Capacidad bruta:	-	-
Capacidad neta:		
Tensión de conexión:	12 V $\overline{=}$	12 V $\overline{=}$
Potencia media de entrada:	54 W	54 W
Consumo de energía	0,70 kWh/24 h	0,72 kWh/24 h
Modo PERFORMANCE:	58 Ah/24 h	60 Ah/24 h
Clase climática:	ST	ST
Refrigerante:	R134a	R134a
Cantidad de refrigerante:	44 g	44 g
Equivalente de CO <sub>2</sub> :	0,063 t	0,063 t
Índice GWP (Global warming potential):	1430	1430
Emisión de ruidos (EN60704):		
Modo PERFORMANCE:	42 dB(A)	42 dB(A)
Modo QUIET:	39 dB(A)	39 dB(A)
Dimensiones H x A x P (en mm):	1282 x 523 x 565	1282 x 523 x 620
Peso:	36,5 kg	39,5 kg
Inspección/certificados:		

	<b>RCL10.4(S)(T)</b>	<b>RCL10.4E(S)(T)</b>
Capacidad		
Capacidad bruta:	133 l	154 l
Compartimento refrigerador:	116 l	131 l
Compartimento para congelados:	12 l	18 l
Capacidad neta total:	128 l	149 l
Sin incluir el compartimento para congelados	139 l	157 l
Capacidad bruta:	134 l	152 l
Capacidad neta:		
Tensión de conexión:	12 V <sup>===</sup>	12 V <sup>===</sup>
Potencia media de entrada:	54 W	57 W
Consumo de energía	0,66 kWh/24 h	0,54 kWh/24 h
Modo PERFORMANCE:	55 Ah/24 h	45 Ah/24 h
Clase climática:	ST	ST
Refrigerante:	R134a	R600a
Cantidad de refrigerante:	40 g	29 g
Equivalente de CO <sub>2</sub> :	0,057 t	0,087 kg
Índice GWP (Global warming potential):	1430	3
Emisión de ruidos (EN60704):		
Modo PERFORMANCE:	42 dB(A)	42 dB(A)
Modo QUIET:	39 dB(A)	39 dB(A)
Dimensiones H x A x P (en mm):	1293 x 420 x 595	1293 x 420 x 595
Peso:	32 kg	31 kg
Inspección/certificados:		

	<b>RCS10.5(S)(T)</b>	<b>RCS10.5X(S)(T)</b>
Capacidad		
Capacidad bruta:	78 l	92 l
Compartimento refrigerador:	69,1 l	80,3 l
Compartimento para congelados:	9,2 l	12,1 l
Capacidad neta total:	78 l	92 l
Sin incluir el compartimento para congelados	83 l	98 l
Capacidad bruta:	83 l	98 l
Capacidad neta:		
Tensión de conexión:	12 V	12 V
Potencia media de entrada:	5,9 A	5,5 A
Consumo de energía	0,42 kWh/24 h	0,43 kWh/24 h
Modo PERFORMANCE:	35 Ah/24 h	35,5 Ah/24 h
Clase climática:	N, ST	N, ST
Refrigerante:	R600a	R600a
Cantidad de refrigerante:	24 g	23 g
Equivalente de CO <sub>2</sub> :	0,072 kg	0,069 kg
Índice GWP (Global warming potential):	3	3
Emisión de ruidos (EN60704):		
Con canal de aire:		
Modo PERFORMANCE:	44 dB(A)	44 dB(A)
Modo QUIET:	39 dB(A)	39 dB(A)
Sin canal de aire:		
Modo PERFORMANCE:	42 dB(A)	42 dB(A)
Modo QUIET:	38 dB(A)	38 dB(A)
Dimensiones H x A x P (en mm):	821 x 523 x 555	821 x 523 x 610
Peso:	24,5 kg	25 kg
Inspección/certificados:		

Leia atentamente as presentes instruções e siga todas as instruções, orientações e avisos incluídos neste manual, de modo a garantir sempre a correta instalação, utilização e manutenção do produto. É OBRIGATÓRIO manter estas instruções junto com o produto.

Ao utilizar o produto, está a confirmar que leu atentamente todas as instruções, orientações e avisos, e que compreende e aceita cumprir os termos e condições estabelecidos no presente manual. Aceita utilizar este produto exclusivamente para o fim e a aplicação a que se destina e de acordo com as instruções, orientações e avisos estabelecidos neste manual, assim como de acordo com todas as leis e regulamentos aplicáveis. Caso não leia nem siga as instruções e os avisos aqui estabelecidos, poderá sofrer ferimentos pessoais ou causar ferimentos a terceiros e o produto ou outros materiais nas proximidades poderão ficar danificados. Este manual do produto, incluindo as instruções, orientações e avisos, bem como a documentação relacionada, podem estar sujeitos a alterações e atualizações. Para consultar as informações atualizadas do produto, visite [dometic.com](http://dometic.com).

## Índice

1	Explicação dos símbolos . . . . .	64
2	Indicações de segurança . . . . .	65
3	Utilização adequada . . . . .	67
4	Montar o frigorífico . . . . .	68
5	Dados técnicos . . . . .	73

## 1 Explicação dos símbolos



### AVISO!

**Indicação de segurança:** Indica uma situação perigosa que, se não for evitada, pode causar a morte ou ferimentos graves.



### PRECAUÇÃO!

**Indicação de segurança:** Indica uma situação perigosa que, se não for evitada, pode causar ferimentos ligeiros ou moderados.



### NOTA!

Indica uma situação que, se não for evitada, pode causar danos materiais.



### OBSERVAÇÃO

Informações suplementares para a utilização do produto.



## 2 Indicações de segurança

### 2.1 Princípios básicos de segurança



**AVISO! O incumprimento destes avisos poderá resultar em morte ou ferimentos graves.**

#### **Risco de eletrocussão**

- Apenas técnicos qualificados podem executar a montagem e a remoção do frigorífico.
- Não coloque o frigorífico em funcionamento se este apresentar danos visíveis.
- As reparações neste frigorífico só podem ser realizadas por técnicos especializados. Reparações inadequadas podem resultar em perigos consideráveis ou em danos no frigorífico.
- Se o cabo de alimentação deste frigorífico estiver danificado, terá de ser substituído pelo fabricante, pelo serviço de assistência técnica ou por uma pessoa com qualificações equivalentes, de forma a evitar riscos de segurança.
- Ao posicionar o frigorífico, certifique-se de que o cabo de alimentação não fica preso nem é danificado.
- Não coloque tomadas múltiplas ou fontes de alimentação portáteis na parte de trás do frigorífico.

#### **Perigo de incêndio**

- O agente de refrigeração no circuito de refrigeração é altamente inflamável.  
Em caso de danos no circuito de refrigeração (cheiro a amoníaco):
  - Desligue o frigorífico.
  - Evite chamas abertas e faíscas.
  - Ventile bem o espaço.

#### **Perigo de explosão**

- Não borrifar aerossóis nas proximidades do frigorífico enquanto este estiver em funcionamento.
- Não guarde substâncias com risco de explosão, como por ex. latas de spray com gás inflamável, no frigorífico.

**Risco para a saúde**

- Este frigorífico pode ser utilizado por crianças a partir dos 8 anos e pessoas com capacidades físicas, sensoriais ou mentais reduzidas ou sem experiência e conhecimento se forem supervisionadas ou receberem instruções sobre a utilização do frigorífico de forma segura e compreenderem os perigos implicados.
- Crianças com idades entre os 3 e os 8 anos podem encher e esvaziar o frigorífico.
- A limpeza e a manutenção por parte do utilizador não podem ser efetuadas por crianças sem supervisão.
- As crianças devem ser supervisionadas para assegurar que não brincam com o frigorífico.

**Risco de as crianças ficarem presas**

- Certifique-se de que as prateleiras estão instaladas e fixadas para que não seja possível crianças trancarem-se dentro do frigorífico.
- Antes da eliminação do seu frigorífico usado:
  - Desmonte as gavetas.
  - Deixe ficar as prateleiras no frigorífico para que as crianças não entrem nele.

**PRECAUÇÃO! O incumprimento destas advertências poderá resultar em ferimentos ligeiros ou moderados.****Risco para a saúde**

- Para evitar riscos devido à instabilidade do frigorífico, este tem de ser fixado de acordo com as instruções de montagem.
- Mantenha as aberturas de ventilação existentes no compartimento do frigorífico ou na estrutura encastrada sempre desobstruídas.
- Não utilize ferramentas mecânicas ou outros meios de acelerar o processo de descongelamento para além dos recomendados pelo fabricante.
- Não abra, em caso algum, o circuito de refrigeração.
- Não utilize aparelhos elétricos dentro do frigorífico, exceto se estes aparelhos elétricos tiverem sido recomendados para isso pelo fabricante.

**Perigo de ferimentos**

- Não utilize nem armazene materiais inflamáveis neste frigorífico ou nas suas proximidades.
- Não coloque objetos em cima deste frigorífico nem os encoste ao mesmo.

- Não modifique este frigorífico.

**NOTA! Risco de danos**

- Verifique se a indicação de tensão na placa de dados corresponde à da fonte de alimentação existente.
- Não coloque o aparelho de refrigeração na proximidade de fontes de calor (aquecimento, radiação solar intensa, fogões a gás, etc.).
- Mantenha a abertura de condensados sempre limpa.
- Ao limpar o veículo, não utilize qualquer aparelho de limpeza de alta pressão na zona da grelha de ventilação.
- Monte as coberturas de inverno da grelha de ventilação (acessórios) quando limpar o exterior do veículo ou se não o utilizar durante um longo período de tempo.
- O frigorífico não pode ser exposto à chuva.

### 3 Utilização adequada

O frigorífico é adequado para:

- Montagem em caravanas e autocaravanas
- Refrigeração, ultracongelamento e armazenamento de géneros alimentícios

O frigorífico não é adequado para:

- Armazenar medicamentos
- Armazenar substâncias corrosivas ou substâncias que contenham solventes
- Congelar rapidamente géneros alimentícios

O frigorífico está concebido para a instalação num móvel ou num nicho de instalação.

O compartimento para produtos congelados de duas estrelas é adequado para armazenar géneros alimentícios pré-congelados, armazenar ou fazer gelado e fazer cubos de gelo. Não se destina a congelar géneros alimentícios previamente descongelados.

Este produto destina-se exclusivamente à aplicação e aos fins pretendidos com base nestas instruções.

Este manual fornece informações necessárias para proceder a uma instalação e/ou a uma operação adequadas do produto. Uma instalação e/ou uma operação ou manutenção incorretas causarão um desempenho insatisfatório e uma possível avaria.

O fabricante não aceita qualquer responsabilidade por danos ou prejuízos no produto resultantes de:

- Montagem ou ligação incorreta, incluindo sobretensões
- Manutenção incorreta ou utilização de peças sobressalentes não originais fornecidas pelo fabricante
- Alterações ao produto sem autorização expressa do fabricante
- Utilização para outras finalidades que não as descritas no presente manual

A Dometic reserva-se o direito de alterar o design e as especificações do produto.

## 4 Montar o frigorífico



### **PRECAUÇÃO! Risco para a saúde**

Para evitar riscos devido à instabilidade do aparelho, este tem de ser fixado de acordo com as instruções.



Para mudar o batente da porta e a placa decorativa, consulte as instruções online em:

[documents.dometic.com/?object\\_id=63258](https://documents.dometic.com/?object_id=63258)

O aparelho é adequado para a montagem em:

- caravanas
- autocaravanas

## 4.1 Preparar a montagem



### PRECAUÇÃO! Perigo de ferimentos

O aparelho tem bordas afiadas e, por isso, deve usar-se luvas durante a montagem.



### NOTA! Risco de danos

- O frigorífico não pode ser montado na traseira de autocaravanas com a porta virada para o sentido da marcha.
- Deixe o aparelho em posição vertical durante, pelo menos, três horas antes de o ligar pela primeira vez.



### OBSERVAÇÃO

- No caso da montagem em caravanas, é possível montar uma unidade sob a bancada com a porta virada para o sentido da marcha, desde que a unidade fique instalada junto da porta deslizante e por trás do banco do acompanhante do condutor.
- Se o frigorífico de compressor substituir uma unidade de absorção, deve certificar-se de que as grelhas de ventilação externas estão completamente fechadas, caso contrário, existe o risco de o compressor não funcionar com uma temperatura ambiente baixa (~inferior a 0 °C).

Durante a montagem do frigorífico, tenha em conta as seguintes indicações:

- Assegure-se de que o piso é sólido e plano.  
Para isso, estacione o veículo horizontalmente.
- O frigorífico tem de ser montado de modo a facilitar
  - o acesso para os trabalhos de assistência
  - fácil de desmontar e montar
  - a remoção do veículo
- O frigorífico tem de ser instalado num nicho de modo a permanecer seguro durante a deslocação do veículo. Tenha em atenção as dimensões de fig. **1**, página 3 a fig. **3**, página 5 a este respeito.
- Tenha também em conta as seguintes dimensões das reentrâncias (fig. **4**, página 5):

	RC10.4(S)(T).70	RC10.4(S)(T).90	RC10.4P.100
Altura do frigorífico <b>(A)</b>	821 mm	975 mm	900 mm
Largura do frigorífico <b>(B)</b>	420 mm	420 mm	420 mm (compressor tra-seiro) 590 mm (compressor lateral)
Profundidade do frigorífico <b>(C)</b> (excluindo o botão de controlo de 5 mm)	450 mm	485 mm	655 mm (compressor tra-seiro) 485 mm (compressor lateral)
Altura da reentrância <b>(H)</b>	823 mm	977 mm	902 mm
Largura da reentrância <b>(W)</b>	425 mm	425 mm	425 mm (compressor tra-seiro) 595 mm (compressor lateral)
Profundidade da reentrância <b>(D)</b>	452 mm	487 mm	657 mm (compressor tra-seiro) 487 mm (compressor lateral)

	RCD10.5(S)(T)	RCD10.5X(S)(T)
Altura do frigorífico <b>(A)</b>	1282 mm	1282 mm
Largura do frigorífico <b>(B)</b>	523 mm	523 mm
Profundidade do frigorífico <b>(C)</b> (excluindo o botão de controlo de 5 mm)	565 mm	620 mm
Altura da reentrância <b>(H)</b>	1285 mm	1285 mm

	<b>RCD10.5(S)(T)</b>	<b>RCD10.5X(S)(T)</b>
Largura da reentrância <b>(W)</b>	528 mm	528 mm
Profundidade da reentrância <b>(D)</b>	568 mm	623 mm

	<b>RCL10.4(S)(T)</b>	<b>RCL10.4E(S)(T)</b>
Altura do frigorífico <b>(A)</b>	1293 mm	1282 mm
Largura do frigorífico <b>(B)</b>	420 mm	523 mm
Profundidade do frigorífico <b>(C)</b> (excluindo o botão de controlo de 5 mm)	595 mm	620 mm
Altura da reentrância <b>(H)</b>	1296 mm	1285 mm
Largura da reentrância <b>(W)</b>	425 mm	528 mm
Profundidade da reentrância <b>(D)</b>	598 mm	623 mm

	<b>RCS10.5(S)(T)</b>	<b>RCS10.5X(S)(T)</b>
Altura do frigorífico <b>(A)</b>	821 mm	821 mm
Largura do frigorífico <b>(B)</b>	523 mm	523 mm
Profundidade do frigorífico <b>(C)</b> (excluindo o botão de controlo de 5 mm)	555 mm	610 mm
Altura da reentrância <b>(H)</b>	824 mm	824 mm
Largura da reentrância <b>(W)</b>	528 mm	528 mm
Profundidade da reentrância <b>(D)</b>	558 mm	613 mm

## 4.2 Instalar o dreno de condensados



### OBSERVAÇÃO

- É possível que se forme condensação no interior do frigorífico devido a uma abertura frequente da porta, ao armazenamento incorreto de géneros alimentícios ou ao armazenamento de géneros alimentícios ainda quentes.
- A condensação tem de ser drenada com uma inclinação constante.

Instale o dreno de condensados da seguinte forma:

- ▶ Instale a mangueira de condensação a partir do frigorífico, passando-a por uma abertura no chão que vai para o exterior.

## 4.3 Ligar o aparelho à corrente



### NOTA! Risco de danos

- A instalação elétrica e as reparações só podem ser realizadas por um técnico de acordo com as regulamentações e normas nacionais em vigor.
- Para evitar perdas de tensão e potência, o cabo deve ser o mais curto possível e não deve ser interrompido, se possível. Evite, por isso, interruptores, fichas ou distribuidores adicionais.
- Antes de ligar, verifique se a tensão de funcionamento e a tensão da bateria correspondem (ver placa de características).

1. Determine o corte transversal necessário do cabo de acordo com o comprimento do cabo, conforme a fig. **5**, página 6.
2. Ligue os cabos ao conector AMP do frigorífico (fig. **6**, página 6).
3. Ligue as outras extremidades dos cabos à fonte de alimentação de 12 V $\equiv$  fonte de alimentação:



### NOTA! Risco de danos

- Tenha atenção à polaridade correta.
- Coloque um fusível de 10 A no cabo positivo (+).
  - O mais diretamente possível
  - rd (red, vermelho): com uma proteção de fusível (10 A) montada no polo positivo (+)
  - bk (black, preto): no polo negativo (-)



## 4.4 Fixar o frigorífico



### NOTA! Risco de danos

Aparafuse apenas através dos isoladores de passagem previstos para o efeito, caso contrário, os componentes com espuma, tais como cabos, podem ficar danificados.



### OBSERVAÇÃO

- Fixe as paredes laterais ou os frisos instalados de modo que os parafusos fiquem bem apertados, mesmo sob cargas elevadas (durante viagens).
- O frigorífico foi concebido para fornecer um fluxo de ar controlado. O fabricante não recomenda que se deixe um espaço adicional entre o frigorífico e as paredes do nicho.

1. Desloque o frigorífico para o seu local definitivo com o flange dianteiro firmemente assente na parte frontal da reentrância.
2. Fixe os parafusos (fig. **7**, página 7) através dos isoladores de passagem de plástico nas paredes laterais do frigorífico até alcançar a parede.
3. Coloque as tampas nas cabeças dos parafusos.

### Instalar o painel de comando do RC10.4P.100

- Instale o painel de comando conforme ilustrado (fig. **8**, página 7).

## 5 Dados técnicos

Para consultar a Declaração de Conformidade UE atual para o seu dispositivo, aceda à página do produto em questão em [dometic.com](http://dometic.com) ou entre diretamente em contacto com o fabricante (ver [dometic.com/dealer](http://dometic.com/dealer)).

Consulte mais informações sobre o produto através do código QR existente no rótulo energético no produto ou em [eprel.ec.europa.eu](http://eprel.ec.europa.eu).


Este aparelho está em conformidade com o Regulamento UNECE R10.05.2014.


Consoante o modelo, o frigorífico usa R134a ou R600a como refrigerante. Consulte a placa de características para saber o refrigerante usado.


Para os modelos com R134a aplica-se:


Contém gases fluorados com efeito de estufa

Equipamento hermeticamente fechado

	RC10.4(S)(T).70		RC10.4(S)(T).90		RC10.4P.100	
Volume						
Volume bruto:	62 L		86 L		94 L	
Compartimento do frigorífico:	54,5 L		75,5 L		81 L	
Compartimento para produtos congelados:	7,5 L		7,5 L		9 L	
Capacidade líquida total:	62 L		83 L		90 L	
Exceto Compartimento para produtos congelados	69 L		90 L		98 L	
Volume bruto:	64 L		85 L		93 L	
Volume líquido:						
Tensão de conexão:	12 V---		12 V---		12 V---	
Potência de entrada média:	42 W		45 W		48 W	
Consumo de energia	0,45 kWh/24 h		0,45 kWh/24 h		0,46 kWh/24 h	
Modo PERFORMANCE:	37.5 Ah/24 h		37.5 Ah/24 h		38 Ah/24 h	
Classe climática:	T		T		T	
Agente de refrigeração:	R134a	R600a	R134a	R600a	R134a	R600a
Quantidade de agente de refrigeração:	40 g	15 g	43 g	17 g	47 g	17 g
Equivalente a CO <sub>2</sub> :	0,057 t	0.045 kg	0,061 t	0.051 kg	0,067 t	0.051 kg
Potencial de aquecimento global (PAG):	1430	3	1430	3	1430	3
Emissão de ruído (EN60704):						
Modo PERFORMANCE:	42 dB(A)		42 dB(A)		42 dB(A)	
Modo QUIET:	39 dB(A)		39 dB(A)		39 dB(A)	
Dimensões A x L x P (em mm):	821 x 420 x 450		975 x 420 x 485		902 x 420 x 655 (compressor tra-seiro) 902 x 590 x 485 (compressor lateral)	
Peso:	19.5 kg		21.4 kg		21.0 kg	
Inspeção/certificação:						

	<b>RCD 10.5(S)(T)</b>	<b>RCD 10.5X(S)(T)</b>
Volume		
Volume bruto:	153 L	177 L
Compartimento do frigorífico:	118 L	142 L
Compartimento para produtos congelados:	29 L	35 L
Capacidade líquida total:	147 L	171 L
Exceto Compartimento para produtos congelados	-	-
Volume bruto:	-	-
Volume líquido:	-	-
Tensão de conexão:	12 V <sup>===</sup>	12 V <sup>===</sup>
Potência de entrada média:	54 W	54 W
Consumo de energia	0,70 kWh/24 h	0,72 kWh/24 h
Modo PERFORMANCE:	58 Ah/24 h	60 Ah/24 h
Classe climática:	ST	ST
Agente de refrigeração:	R134a	R134a
Quantidade de agente de refrigeração:	44 g	44 g
Equivalente a CO <sub>2</sub> :	0,063 t	0,063 t
Potencial de aquecimento global (PAG):	1430	1430
Emissão de ruído (EN60704):		
Modo PERFORMANCE:	42 dB(A)	42 dB(A)
Modo QUIET:	39 dB(A)	39 dB(A)
Dimensões A x L x P (em mm):	1282 x 523 x 565	1282 x 523 x 620
Peso:	36.5 kg	39.5 kg
Inspeção/certificação:		

	<b>RCL10.4(S)(T)</b>	<b>RCL10.4E(S)(T)</b>
Volume		
Volume bruto:	133 L	154 L
Compartimento do frigorífico:	116 L	131 L
Compartimento para produtos congelados:	12 L	18 L
Capacidade líquida total:	128 L	149 L
Exceto Compartimento para produtos congelados	139 L	157 L
Volume bruto:	134 L	152 L
Volume líquido:		
Tensão de conexão:	12 V---	12 V---
Potência de entrada média:	54 W	57 W
Consumo de energia	0,66 kWh/24 h	0,54 kWh/24 h
Modo PERFORMANCE:	55 Ah/24 h	45 Ah/24 h
Classe climática:	ST	ST
Agente de refrigeração:	R134a	R600a
Quantidade de agente de refrigeração:	40 g	29 g
Equivalente a CO <sub>2</sub> :	0,057 t	0.087 kg
Potencial de aquecimento global (PAG):	1430	3
Emissão de ruído (EN60704):		
Modo PERFORMANCE:	42 dB(A)	42 dB(A)
Modo QUIET:	39 dB(A)	39 dB(A)
Dimensões A x L x P (em mm):	1293 x 420 x 595	1293 x 420 x 595
Peso:	32 kg	31 kg
Inspeção/certificação:		

	<b>RCS 10.5(S)(T)</b>	<b>RCS 10.5X(S)(T)</b>
Volume		
Volume bruto:	78 L	92 L
Compartimento do frigorífico:	69,1 L	80,3 L
Compartimento para produtos congelados:	9,2 L	12,1 L
Capacidade líquida total:	78 L	92 L
Exceto Compartimento para produtos congelados	83 L	98 L
Volume bruto:	83 L	98 L
Volume líquido:		
Tensão de conexão:	12 V	12 V
Potência de entrada média:	5.9 A	5.5 A
Consumo de energia	0,42 kWh/24 h	0,43 kWh/24 h
Modo PERFORMANCE:	35 Ah/24 h	35.5 Ah/24 h
Classe climática:	N, ST	N, ST
Agente de refrigeração:	R600a	R600a
Quantidade de agente de refrigeração:	24 g	23 g
Equivalente a CO <sub>2</sub> :	0.072 kg	0.069 kg
Potencial de aquecimento global (PAG):	3	3
Emissão de ruído (EN60704):		
Com canal de ar:		
Modo PERFORMANCE:	44 dB(A)	44 dB(A)
Modo QUIET:	39 dB(A)	39 dB(A)
Sem canal de ar:		
Modo PERFORMANCE:	42 dB(A)	42 dB(A)
Modo QUIET:	38 dB(A)	38 dB(A)
Dimensões A x L x P (em mm):	821 x 523 x 555	821 x 523 x 610
Peso:	24.5 kg	25 kg
Inspeção/certificação:		

Leggere attentamente e seguire tutte le istruzioni, le linee guida e le avvertenze incluse in questo manuale del prodotto, per assicurarsi che il prodotto venga sempre installato, utilizzato e mantenuto nel modo corretto. Queste istruzioni DEVONO essere conservate insieme al prodotto.

Utilizzando il prodotto, l'utente conferma di aver letto attentamente tutte le istruzioni, le linee guida e le avvertenze e di aver compreso e accettato di rispettare i termini e le condizioni qui espressamente indicati. L'utente accetta di utilizzare questo prodotto solo per lo scopo e l'applicazione previsti e in conformità con le istruzioni, le linee guida e le avvertenze indicate nel presente manuale del prodotto, nonché con tutte le leggi e i regolamenti applicabili. La mancata lettura e osservanza delle istruzioni e delle avvertenze qui espressamente indicate può causare lesioni personali e a terzi, danni al prodotto o ad altre proprietà nelle vicinanze. Il presente manuale del prodotto, comprese le istruzioni, le linee guida e le avvertenze e la relativa documentazione possono essere soggetti a modifiche e aggiornamenti. Per informazioni aggiornate sul prodotto, visitare il sito [dometic.com](http://dometic.com).

## Indice

1	Spiegazione dei simboli . . . . .	78
2	Istruzioni per la sicurezza . . . . .	79
3	Destinazione d'uso . . . . .	81
4	Montaggio del frigorifero . . . . .	82
5	Specifiche tecniche. . . . .	87

## 1 Spiegazione dei simboli



### AVVERTENZA!

**Istruzione per la sicurezza:** indica una situazione di pericolo che, se non evitata, potrebbe provocare lesioni gravi o mortali.



### ATTENZIONE!

**Istruzione per la sicurezza:** indica una situazione di pericolo che, se non evitata, potrebbe provocare lesioni di entità lieve o moderata.



### AVVISO!

Indica una situazione di pericolo che, se non evitata, può provocare danni alle cose.



### NOTA

Informazioni integranti relative all'impiego del prodotto.

## 2 Istruzioni per la sicurezza

### 2.1 Sicurezza generale



**AVVERTENZA! La mancata osservanza di queste avvertenze potrebbe causare la morte o lesioni gravi.**

#### **Pericolo di scosse elettriche**

- L'installazione e la rimozione del frigorifero possono essere eseguite soltanto da personale qualificato.
- Se il frigorifero presenta danni visibili, non metterlo in funzione.
- Il frigorifero può essere riparato solo da personale specializzato. Le riparazioni non corrette possono comportare pericoli considerevoli o provocare danni al frigorifero.
- Se il cavo di collegamento di questo frigorifero viene danneggiato, per evitare pericoli, farlo sostituire dal produttore, dal suo servizio assistenza clienti o da personale con la qualifica necessaria.
- Durante il posizionamento del frigorifero, assicurarsi che il cavo di alimentazione non venga bloccato o danneggiato.
- Non collocare prese multiple portatili o alimentatori portatili sul retro del frigorifero.

#### **Pericolo di incendio**

- Il refrigerante nel circuito di raffreddamento è altamente infiammabile. In caso di danneggiamento del circuito di raffreddamento (odore di ammoniaca):
  - Disattivare il frigorifero.
  - Evitare fiamme libere e scintille.
  - Aerare bene l'ambiente.

#### **Pericolo di esplosione**

- Non spruzzare aerosol in prossimità di questo frigorifero mentre è in funzione.
- Nel frigorifero non conservare sostanze che possono esplodere, come ad es. bombolette spray con gas propellente infiammabile.

#### **Pericolo per la salute**

- Questo frigorifero può essere utilizzato da bambini di età superiore a 8 anni, da persone con ridotte capacità fisiche, sensoriali o mentali o da persone inesperte o prive di conoscenze specifiche solo se sorvegliate o preventivamente istruite sull'impiego del frigorifero in sicurezza e se informate dei pericoli legati al prodotto stesso.

- I bambini dai 3 agli 8 anni possono riempire e svuotare il frigorifero.
- La pulizia e la manutenzione da parte dell'utente non possono essere eseguite da bambini lasciati soli.
- Sorvegliare i bambini per evitare che giochino con il frigorifero.

### **Pericolo di intrappolamento di bambini**

- Assicurarsi che i ripiani siano montati e fissati in modo che i bambini non possano chiudersi all'interno del frigorifero.
- Prima di smaltire il vostro vecchio frigorifero:
  - Smontare il cassetto.
  - Lasciare i piani d'appoggio all'interno del frigorifero in modo che i bambini non possano usarli come mezzi di salita.



### **ATTENZIONE! La mancata osservanza di queste precauzioni potrebbe causare lesioni lievi o moderate.**

#### **Pericolo per la salute**

- Per evitare pericoli a causa dell'instabilità del frigorifero, fissarlo secondo le istruzioni di installazione.
- Mantenere le aperture di ventilazione, nell'involucro del frigorifero o nella struttura incorporata, libere da ostruzioni.
- Non utilizzare apparecchi meccanici o altri mezzi per accelerare il processo di sbrinamento, diversi da quelli raccomandati dal produttore.
- Non aprire in nessun caso il circuito di raffreddamento.
- Non utilizzare apparecchi elettrici all'interno del frigorifero, ad eccezione di quelli consigliati dal produttore.

#### **Pericolo di lesioni**

- Non utilizzare o conservare materiali infiammabili nel frigorifero o nelle sue vicinanze.
- Non disporre oggetti sopra o contro questo frigorifero.
- Non modificare il frigorifero.



### **AVVISO! Rischio di danni**

- Controllare che i dati della tensione riportati sulla targhetta corrispondano a quelli dell'alimentazione.
- Non collocare il frigorifero nelle vicinanze di fonti di calore (riscaldamento, luce solare diretta, forni a gas, ecc.).
- Mantenere lo scarico della condensa sempre pulito.
- Per la pulizia del veicolo, non utilizzare un'idropulitrice nel settore della griglia di ventilazione.



- Montare le coperture invernali della griglia di ventilazione (accessori) se il veicolo viene pulito esternamente o se non viene utilizzato per lungo tempo.
- Non esporre il frigorifero alla pioggia.

### 3 Destinazione d'uso

Il frigorifero è adatto per:

- essere installato su camper e caravan
- refrigerare, congelare e conservare alimenti.

Il frigorifero non è adatto per:

- conservare medicinali
- conservare sostanze corrosive o sostanze contenenti solventi
- il congelamento rapido degli alimenti

Il frigorifero è destinato all'installazione in un mobile o in una nicchia di installazione.

Gli scomparti per prodotti congelati a due stelle sono adatti alla conservazione di alimenti presurgelati, alla conservazione o alla produzione di gelato e alla produzione di cubetti di ghiaccio. Non è adatta per congelare alimenti.

Questo prodotto è adatto solo per l'uso e l'applicazione previsti in conformità con le presenti istruzioni.

Il presente manuale fornisce le informazioni necessarie per la corretta installazione e/o il funzionamento del prodotto. Un'installazione errata e/o un utilizzo o una manutenzione impropri comporteranno prestazioni insoddisfacenti e un possibile guasto.

Il fabbricante non si assume alcuna responsabilità per eventuali lesioni o danni al prodotto che derivino da:

- montaggio o collegamento non corretti, compresa la sovratensione
- manutenzione non corretta o uso di parti di ricambio diverse da quelle originali fornite dal fabbricante
- modifiche al prodotto senza esplicita autorizzazione del fabbricante
- impiego per scopi diversi da quelli descritti nel presente manuale

Dometic si riserva il diritto di modificare l'aspetto e le specifiche del prodotto.

## 4 Montaggio del frigorifero



### **ATTENZIONE! Pericolo per la salute**

Per evitare pericoli a causa dell'instabilità dell'apparecchio, fissarlo secondo le istruzioni.



Le istruzioni per la sostituzione del fermaporta e del pannello decorativo sono disponibili online all'indirizzo:

[documents.dometic.com/?object\\_id=63258](https://documents.dometic.com/?object_id=63258)

L'apparecchio è adatto per essere installato in:

- caravan
- motorhome

### 4.1 Operazioni preliminari al montaggio



#### **ATTENZIONE! Pericolo di lesioni**

Il dispositivo è dotato di spigoli vivi e i guanti devono essere utilizzati durante l'installazione.



#### **AVVISO! Rischio di danni**

- Il frigorifero non può essere installato nella parte posteriore dei caravan con la porta rivolta in direzione di marcia.
- Lasciare l'apparecchio in posizione verticale per almeno 3 ore prima della prima messa in funzione.



#### **NOTA**

- Nei camper è possibile installare un'unità sotto banco con lo sportello rivolto nella direzione di marcia, purché sia installata accanto allo sportello scorrevole e dietro il sedile del secondo conducente.
- Se il frigorifero a compressione sostituisce un'unità ad assorbimento, bisogna assicurarsi che le griglie di ventilazione esterna siano completamente chiuse, altrimenti c'è il rischio che il compressore non funzioni in presenza di basse temperature ambiente ( $< 0^{\circ}\text{C}$ ).

Durante il montaggio del frigorifero, prestare attenzione alle seguenti indicazioni:

- Assicurarsi che il pavimento sia solido e piano.  
A tal fine parcheggiare il veicolo in piano.

- Il frigorifero deve essere installato in modo da
  - essere facilmente accessibile per i lavori di manutenzione
  - facile da smontare e montare
  - essere rimosso facilmente dal veicolo
- Il frigorifero deve essere montato in una nicchia affinché rimanga sicuro quando il veicolo è in movimento. A tale proposito, osservare le dimensioni da fig. **1**, pagina 3 a fig. **3**, pagina 5.
- Si noti anche la seguente dimensione dell'incavo (fig. **4**, pagina 5):

	RC10.4(S)(T).70	RC10.4(S)(T).90	RC10.4P.100
Altezza del frigorifero <b>(A)</b>	821 mm	975 mm	900 mm
Larghezza del frigorifero <b>(B)</b>	420 mm	420 mm	420 mm (compressore posteriore) 590 mm (compressore laterale)
Profondità del frigorifero <b>(C)</b> (esclude la manopola 5 mm)	450 mm	485 mm	655 mm (compressore posteriore) 485 mm (compressore laterale)
Altezza dell'incavo <b>(H)</b>	823 mm	977 mm	902 mm
Larghezza dell'incavo <b>(W)</b>	425 mm	425 mm	425 mm (compressore posteriore) 595 mm (compressore laterale)
Profondità dell'incavo <b>(D)</b>	452 mm	487 mm	657 mm (compressore posteriore) 487 mm (compressore laterale)

	<b>RCD10.5(S)(T)</b>	<b>RCD10.5X(S)(T)</b>
Altezza del frigorifero <b>(A)</b>	1282 mm	1282 mm
Larghezza del frigorifero <b>(B)</b>	523 mm	523 mm
Profondità del frigorifero <b>(C)</b> (esclude la manopola 5 mm)	565 mm	620 mm
Altezza dell'incavo <b>(H)</b>	1285 mm	1285 mm
Larghezza dell'incavo <b>(W)</b>	528 mm	528 mm
Profondità dell'incavo <b>(D)</b>	568 mm	623 mm

	<b>RCL10.4(S)(T)</b>	<b>RCL10.4E(S)(T)</b>
Altezza del frigorifero <b>(A)</b>	1293 mm	1282 mm
Larghezza del frigorifero <b>(B)</b>	420 mm	523 mm
Profondità del frigorifero <b>(C)</b> (esclude la manopola 5 mm)	595 mm	620 mm
Altezza dell'incavo <b>(H)</b>	1296 mm	1285 mm
Larghezza dell'incavo <b>(W)</b>	425 mm	528 mm
Profondità dell'incavo <b>(D)</b>	598 mm	623 mm

	<b>RCS10.5(S)(T)</b>	<b>RCS10.5X(S)(T)</b>
Altezza del frigorifero <b>(A)</b>	821 mm	821 mm
Larghezza del frigorifero <b>(B)</b>	523 mm	523 mm
Profondità del frigorifero <b>(C)</b> (esclude la manopola 5 mm)	555 mm	610 mm
Altezza dell'incavo <b>(H)</b>	824 mm	824 mm
Larghezza dell'incavo <b>(W)</b>	528 mm	528 mm
Profondità dell'incavo <b>(D)</b>	558 mm	613 mm

## 4.2 Montaggio dello scarico della condensa



### NOTA

- All'interno del frigorifero può formarsi acqua di condensa per effetto di frequenti aperture della porta, di generi alimentari conservati scorrettamente o di generi alimentari riposti nel frigorifero quando sono ancora troppo caldi.
- La condensa deve essere fatta defluire per mezzo di una pendenza costante.

Installare lo scarico della condensa nel seguente modo:

- Far uscire dal frigorifero il tubo flessibile dell'acqua di condensa, facendolo passare attraverso un'apertura sul pavimento che conduce all'esterno.

## 4.3 Collegamento dell'alimentazione elettrica



### AVVISO! Rischio di danni

- L'installazione elettrica e le riparazioni possono essere eseguite solo da personale specializzato in conformità alle prescrizioni e alle norme vigenti nazionali.
- Per evitare perdite di tensione e pertanto un calo delle prestazioni, il cavo deve essere tenuto più corto possibile e possibilmente non deve essere interrotto. Per questo motivo evitare interruttori, spine o prese multiple supplementari.
- Prima del collegamento controllare se la tensione di esercizio e la tensione della batteria corrispondono (vedi targhetta).

1. Determinare la sezione del cavo necessaria in funzione della sua lunghezza, come da fig. **5**, pagina 6.
2. Collegare i cavi al connettore AMP del frigorifero (fig. **6**, pagina 6).
3. Collegare le altre estremità dei cavi all'alimentazione a 12 V== :



### AVVISO! Rischio di danni

- Fare attenzione che la polarità sia corretta.
- Montare il cavo positivo (+) con un fusibile da 10 A.
  - il più direttamente possibile
  - rd (rosso): con un fusibile di protezione (10 A) montato sul polo positivo (+)
  - bk (nero): sul polo negativo (-)

## 4.4 Fissaggio del frigorifero



### AVVISO! Rischio di danni

Forare sempre attraverso le apposite boccole, altrimenti vi è il rischio di danneggiare componenti schiumati, come i cavi.



### NOTA

- Fissare le pareti laterali o i listelli applicati, in modo tale che le viti restino in posizione anche in caso di aumento dei carichi (durante la marcia del veicolo).
- Il frigorifero è realizzato per fornire un flusso d'aria regolato. Il produttore sconsiglia di lasciare uno spazio aggiuntivo tra il frigorifero e le pareti della nicchia di montaggio.

1. Spostare il frigorifero nella sua posizione finale con la flangia anteriore che si appoggia saldamente contro la parte anteriore dell'incavo.
2. Avvitare le viti (fig. **7**, pagina 7) attraverso le boccole in plastica nelle pareti laterali del frigorifero e quindi nella parete della nicchia.
3. Applicare i cappucci di protezione sulle teste delle viti.

### Installazione del pannello di controllo dell'RC10.4P.100

- Installare il pannello di controllo come indicato (fig. **8**, pagina 7).

## 5 Specifiche tecniche

Per consultare l'attuale dichiarazione di conformità UE del dispositivo, visitare la pagina del relativo prodotto sul sito [dometic.com](http://dometic.com) oppure contattare direttamente il fabbricante (vedi [dometic.com/dealer](http://dometic.com/dealer)).

Ulteriori informazioni sul prodotto sono accessibili tramite il codice QR sull'etichetta energetica del prodotto o al sito [eprel.ec.europa.eu](http://eprel.ec.europa.eu).


Questo dispositivo è conforme al regolamento UN ECE R10.05.2014.

A seconda del modello, il frigorifero utilizza come refrigerante R134a oppure R600a. Per il refrigerante utilizzato, fare riferimento alla targhetta dati.


Per i modelli R134a vale:


Contiene gas fluorurati a effetto serra


Apparecchiature ermeticamente sigillate

	RC10.4(S)(T).70		RC10.4(S)(T).90		RC10.4P.100	
Capienza						
Volume interno:	62 l		86 l		94 l	
Vano frigorifero:	54,5 l		75,5 l		81 l	
Scomparto per prodotti congelati:	7,5 l		7,5 l		9 l	
Capienza totale netta:	62 l		83 l		90 l	
Escluso scomparto per prodotti congelati	69 l		90 l		98 l	
Volume interno:	64 l		85 l		93 l	
Capacità netta:						
Tensione di allacciamento:	12 V <sub>===</sub>		12 V <sub>===</sub>		12 V <sub>===</sub>	
Potenza media assorbita:	42 W		45 W		48 W	
Consumo energetico	0,45 kWh/24 h		0,45 kWh/24 h		0,46 kWh/24 h	
Modalità PERFORMANCE:	37,5 Ah/24 h		37,5 Ah/24 h		38 Ah/24 h	
Classe climatica:	T		T		T	
Refrigerante:	R134a	R600a	R134a	R600a	R134a	R600a
Quantità di refrigerante:	40 g	15 g	43 g	17 g	47 g	17 g
CO2 equivalente:	0,057 t	0,045 kg	0,061 t	0,051 kg	0,067 t	0,051 kg
Potenziale di riscaldamento globale (GWP):	1430	3	1430	3	1430	3
Emissioni acustiche (EN60704):						
Modalità PERFORMANCE:	42 dB(A)		42 dB(A)		42 dB(A)	
Modalità QUIET:	39 dB(A)		39 dB(A)		39 dB(A)	
Dimensioni A x L x P (in mm):	821 x 420 x 450		975 x 420 x 485		902 x 420 x 655 (compressore posteriore) 902 x 590 x 485 (compressore laterale)	
Peso:	19,5 kg		21,4 kg		21,0 kg	
Ispezione/certificazione:						



	<b>RCD 10.5(S)(T)</b>	<b>RCD 10.5X(S)(T)</b>
Capienza		
Volume interno:	153 l	177 l
Vano frigorifero:	118 l	142 l
Scomparto per prodotti congelati:	29 l	35 l
Capienza totale netta:	147 l	171 l
Escluso scomparto per prodotti congelati	-	-
Volume interno:	-	-
Capacità netta:		
Tensione di allacciamento:	12 V $\equiv$	12 V $\equiv$
Potenza media assorbita:	54 W	54 W
Consumo energetico	0,70 kWh/24 h	0,72 kWh/24 h
Modalità PERFORMANCE:	58 Ah/24 h	60 Ah/24 h
Classe climatica:	ST	ST
Refrigerante:	R134a	R134a
Quantità di refrigerante:	44 g	44 g
CO2 equivalente:	0,063 t	0,063 t
Potenziale di riscaldamento globale (GWP):	1430	1430
Emissioni acustiche (EN60704):		
Modalità PERFORMANCE:	42 dB(A)	42 dB(A)
Modalità QUIET:	39 dB(A)	39 dB(A)
Dimensioni A x L x P (in mm):	1282 x 523 x 565	1282 x 523 x 620
Peso:	36,5 kg	39,5 kg
Ispezione/certificazione:		

	<b>RCL10.4(S)(T)</b>	<b>RCL10.4E(S)(T)</b>
Capienza		
Volume interno:	133 l	154 l
Vano frigorifero:	116 l	131 l
Scomparto per prodotti congelati:	12 l	18 l
Capienza totale netta:	128 l	149 l
Escluso scomparto per prodotti congelati	139 l	157 l
Volume interno:	134 l	152 l
Capacità netta:		
Tensione di allacciamento:	12 V $\overline{=}$	12 V $\overline{=}$
Potenza media assorbita:	54 W	57 W
Consumo energetico	0,66 kWh/24 h	0,54 kWh/24 h
Modalità PERFORMANCE:	55 Ah/24 h	45 Ah/24 h
Classe climatica:	ST	ST
Refrigerante:	R134a	R600a
Quantità di refrigerante:	40 g	29 g
CO2 equivalente:	0,057 t	0,087 kg
Potenziale di riscaldamento globale (GWP):	1430	3
Emissioni acustiche (EN60704):		
Modalità PERFORMANCE:	42 dB(A)	42 dB(A)
Modalità QUIET:	39 dB(A)	39 dB(A)
Dimensioni A x L x P (in mm):	1293 x 420 x 595	1293 x 420 x 595
Peso:	32 kg	31 kg
Ispezione/certificazione:		

	<b>RCS10.5(S)(T)</b>	<b>RCS10.5X(S)(T)</b>
Capienza		
Volume interno:	78 l	92 l
Vano frigorifero:	69,1 l	80,3 l
Scomparto per prodotti congelati:	9,2 l	12,1 l
Capienza totale netta:	78 l	92 l
Escluso scomparto per prodotti congelati	83 l	98 l
Volume interno:	83 l	98 l
Capacità netta:		
Tensione di allacciamento:	12 V	12 V
Potenza media assorbita:	5,9 A	5,5 A
Consumo energetico	0.42 kWh/24 h	0,43 kWh/24 h
Modalità PERFORMANCE:	35 Ah/24 h	35,5 Ah/24 h
Classe climatica:	N, ST	N, ST
Refrigerante:	R600a	R600a
Quantità di refrigerante:	24 g	23 g
CO2 equivalente:	0,072 kg	0,069 kg
Potenziale di riscaldamento globale (GWP):	3	3
Emissioni acustiche (EN60704):		
Con canale d'aria:		
Modalità PERFORMANCE:	44 dB(A)	44 dB(A)
Modalità QUIET:	39 dB(A)	39 dB(A)
Senza canale d'aria:		
Modalità PERFORMANCE:	42 dB(A)	42 dB(A)
Modalità QUIET:	38 dB(A)	38 dB(A)
Dimensioni A x L x P (in mm):	821 x 523 x 555	821 x 523 x 610
Peso:	24,5 kg	25 kg
Ispezione/certificazione:		

**dometic.com**

---

**YOUR LOCAL  
DEALER**

**[dometic.com/dealer](https://dometic.com/dealer)**

**YOUR LOCAL  
SUPPORT**

**[dometic.com/contact](https://dometic.com/contact)**

**YOUR LOCAL  
SALES OFFICE**

**[dometic.com/sales-offices](https://dometic.com/sales-offices)**

---

